



Register your new Bosch now:
www.bosch-home.com/welcome



Fridge-freezer
Soğutucu/Dondurucu kombine cihazı
Холодильно-морозильная комбинация
KDN



BOSCH

- en** User manual
- tr** Kullanım kılavuzu
- ru** Инструкция по эксплуатации

en Table of Contents

| | | | |
|--|----|--|----|
| Safety and warning information | 4 | Super freezing | 13 |
| Information concerning disposal | 6 | Thawing frozen food | 13 |
| Scope of delivery | 7 | Interior fittings | 13 |
| Ambient temperature and ventilation .. | 7 | Sticker "OK" | 14 |
| Connecting the appliance | 8 | Switching off and disconnecting the appliance | 15 |
| Getting to know your appliance | 8 | Defrosting | 15 |
| Switching the appliance on | 9 | Cleaning the appliance | 15 |
| Setting the temperature | 10 | Light (LED) | 16 |
| Usable capacity | 10 | Tips for saving energy | 16 |
| Refrigerator compartment | 10 | Operating noises | 16 |
| Freezer compartment | 11 | Eliminating minor faults yourself | 17 |
| Max. freezing capacity | 11 | Customer service | 18 |
| Freezing and storing food | 11 | | |
| Freezing fresh food | 12 | | |

tr İçindekiler

| | | | |
|---|----|---|----|
| Güvenlik ve ikaz bilgileri | 19 | Taze besinlerin dondurulması | 27 |
| Giderme bilgileri | 22 | Süper dondurma | 28 |
| Teslimat kapsamı | 22 | Dondurulmuş besinlerin buzunun çözülmesi | 28 |
| Mekan sıcaklığına ve havalandırmaya dikkat edilmelidir | 23 | Donanım | 29 |
| Cihazın elektrik şebekesine bağlanması | 23 | Çıkartma "OK" | 30 |
| Cihaz özelliklerinin öğrenilmesi | 24 | Cihazın kapatılması, cihazın tamamen kapatılması | 30 |
| Cihazın devreye sokulması | 24 | Cihazın buzunun çözülmesi | 30 |
| Sıcaklık derecesinin ayarlanması | 25 | Cihazın temizlenmesi | 31 |
| Kullanılabilen hacim | 25 | Aydınlatma (LED) | 31 |
| Soğutucu bölmesi | 25 | Enerji tasarrufu | 32 |
| Dondurucu bölmesi | 26 | Çalışma sesleri | 32 |
| Azami dondurma kapasitesi | 26 | Basit hataları kendiniz giderebilirsiniz | 33 |
| Besinlerin dondurulması ve depolanması | 26 | Yetkili servis | 34 |

ru Содержание

| | | | |
|--|----|---|----|
| Указания по безопасности и предупреждения | 35 | Замораживание свежих продуктов питания | 46 |
| Указания по утилизации | 39 | Суперзамораживание | 47 |
| Объем поставки | 40 | Размораживание продуктов | 48 |
| Температура окружающей среды и вентиляция | 40 | Специальное оснащение | 48 |
| Подключение бытового прибора ... | 41 | Наклейка «ОК» | 50 |
| Знакомство с бытовым прибором . | 42 | Выключение прибора и вывод его из эксплуатации | 50 |
| Включение бытового прибора | 43 | Размораживание | 50 |
| Установка температуры | 43 | Чистка прибора | 51 |
| Полезный объем | 44 | Освещение (на светодиодах) | 51 |
| Холодильное отделение | 44 | Как сэкономить электроэнергию .. | 52 |
| Морозильное отделение | 45 | Рабочие шумы | 52 |
| Макс. производительность замораживания | 45 | Самостоятельное устранение мелких неисправностей | 53 |
| Замораживание и хранение продуктов | 45 | Служба сервиса | 54 |

Safety and warning information

Before you switch ON the appliance

Please read the operating and installation instructions carefully! They contain important information on how to install, use and maintain the appliance. The manufacturer is not liable if you fail to comply with the instructions and warnings. Retain all documents for subsequent use or for the next owner.

Technical safety

This appliance contains a small quantity of environmentally-friendly but flammable R600a refrigerant. Ensure that the tubing of the refrigerant circuit is not damaged during transportation and installation. Leaking refrigerant may cause eye injuries or ignite.

If damage has occurred

- Keep naked flames and/or ignition sources away from the appliance,
- thoroughly ventilate the room for several minutes,

- switch off the appliance and pull out the mains plug,
- inform customer service.

The more refrigerant an appliance contains, the larger the room must be in which the appliance is situated. Leaking refrigerant can form a flammable gas-air mixture in rooms which are too small.

The room must be at least 1 m³ per 8 g of refrigerant. The amount of refrigerant in your appliance is indicated on the rating plate inside the appliance.

If the power cord of this appliance is damaged, it must be replaced by the manufacturer, customer service or a similarly qualified person. Improper installations and repairs may put the user at considerable risk.

Repairs may be performed by the manufacturer, customer service or a similarly qualified person only.

Only original parts supplied by the manufacturer may be used. The manufacturer guarantees that only these parts satisfy the safety requirements.

A extension cable may be purchased from customer service only.

Important information when using the appliance

- Never use electrical appliances inside the appliance (e.g. heater, electric ice maker, etc.). Explosion hazard!
- Never defrost or clean the appliance with a steam cleaner! The steam may penetrate electrical parts and cause a short-circuit. Risk of electric shock!
- Do not use pointed and sharp-edged implements to remove frost or layers of ice. You could damage the refrigerant tubes. Leaking refrigerant may cause eye injuries or ignite.
- Do not store products which contain flammable propellants (e.g. spray cans) or explosive substances in the appliance. Explosion hazard!
- Do not stand on or lean heavily against base of appliance, drawers or doors, etc
- For cleaning pull out mains plug or switch off fuse. Do not pull out the mains plug by tugging on the power cord.
- Store high-percentage alcohol tightly closed and standing up.
- Keep plastic parts and the door seal free of oil and grease. Otherwise, parts and door seal will become porous.
- Never cover or block the ventilation openings of the appliance!
- **Avoiding placing children and vulnerable people at risk:**

At risk are children, people who have limited physical, mental or sensory abilities, as well as people who have inadequate knowledge concerning safe operation of the appliance.

Ensure that children and vulnerable people have understood the hazards.

A person responsible for safety must supervise or instruct children and vulnerable people who are using the appliance.

Only children from 8 years and above may use the appliance.

Supervise children who are cleaning and maintaining the appliance.

Never allow children to play with the appliance.
- Do not store bottled or canned drinks (especially carbonated drinks) in the freezer compartment. Bottles and cans may burst!

en

- Never put frozen food straight from the freezer compartment into your mouth.
Risk of low-temperature burns!
- Avoid prolonged touching of frozen food, ice or the evaporator pipes, etc.
Risk of low-temperature burns!

Children in the household

- Keep children away from packaging and its parts.
Danger of suffocation from folding cartons and plastic film!
- Do not allow children to play with the appliance!
- If the appliance features a lock:
keep the key out of the reach of children!

General regulations

The appliance is suitable

- for refrigerating and freezing food,
- for making ice,
- for dispensing drinking water.

This appliance is intended for use in the home and the home environment.

The appliance is suppressed according to EU Directive 2004/108/EC.

The refrigeration circuit has been checked for leaks.

This product complies with the relevant safety regulations for electrical appliances (EN 60335-2-24).

Information concerning disposal

Disposal of packaging

The packaging protects your appliance from damage during transit. All utilised materials are environmentally safe and recyclable. Please help us by disposing of the packaging in an environmentally friendly manner.

Please ask your dealer or inquire at your local authority about current means of disposal.

Disposal of your old appliance

Old appliances are not worthless rubbish! Valuable raw materials can be reclaimed by recycling old appliances.



This appliance is labelled in accordance with European Directive 2012/19/EU concerning used electrical and electronic appliances (waste electrical and electronic equipment - WEEE). The guideline determines the framework for the return and recycling of used appliances as applicable throughout the EU.

Warning

Redundant appliances

1. Pull out the mains plug.
2. Cut off the power cord and discard with the mains plug.
3. Do not take out the trays and receptacles: children are therefore prevented from climbing in!
4. Do not allow children to play with the appliance once it has spent its useful life. Danger of suffocation!

Refrigerators contain refrigerant and gases in the insulation. Refrigerant and gases must be disposed of professionally. Ensure that tubing of the refrigerant circuit is not damaged prior to proper disposal.

Scope of delivery

After unpacking all parts, check for any damage in transit.

If you have any complaints, please contact the dealer from whom you purchased the appliance or our customer service.

The delivery consists of the following parts:

- Free-standing appliance
- Interior fittings (depending on model)
- Bag containing installation materials
- Operating instructions
- Installation manual
- Customer service booklet
- Warranty enclosure
- Information on the energy consumption and noises

Ambient temperature and ventilation

Ambient temperature

The appliance is designed for a specific climate class. Depending on the climate class, the appliance can be operated at the following temperatures.

The climate class can be found on the rating plate. Fig. **7**

| Climate class | Permitted ambient temperature |
|---------------|-------------------------------|
| SN | +10 °C to 32 °C |
| N | +16 °C to 32 °C |
| ST | +16 °C to 38 °C |
| T | +16 °C to 43 °C |

Note

The appliance is fully functional within the room temperature limits of the indicated climatic class. If an appliance of climatic class SN is operated at colder room temperatures, the appliance will not be damaged up to a temperature of +5 °C.

Ventilation

Fig. **2**

The air on the rear panel and on the side panels of the appliance heats up. Conduction of the heated air must not be obstructed. Otherwise, the refrigerating unit must work harder. This increases power consumption. Therefore: Never cover or block the ventilation openings!

Connecting the appliance

After installing the appliance, wait at least 1 hour until the appliance is switched on. During transportation the oil in the compressor may have flowed into the refrigeration system.

Before switching on the appliance for the first time, clean the interior of the appliance (see chapter "Cleaning the appliance").

Electrical connection

The socket must be near the appliance and also freely accessible following installation of the appliance.

The appliance complies with the protection class I. Connect the appliance to 220–240 V/50 Hz alternating current via a correctly installed socket with protective conductor. The socket must be fused with a 10 to 16 A fuse.

For appliances operated in non-European countries, check whether the stated voltage and current type match the values of your mains supply. This information can be found on the rating plate. Fig. 7

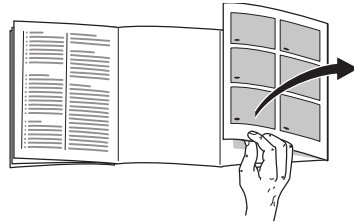


Warning

Never connect the appliance to electronic energy saver plugs.

Our appliances can be used with mains and sine-controlled inverters. Mains-controlled inverters are used for photovoltaic systems which are connected directly to the national grid. Sine-controlled inverters must be used for isolated applications (e.g. on ships or in mountain lodges) which are not connected directly to the national grid.

Getting to know your appliance



Please fold out the illustrated last page. These operating instructions refer to several models.

The features of the models may vary.

The diagrams may differ.

Fig. 1

* Not all models.

- | | |
|-----|---------------------------------------|
| 1-4 | Controls |
| 5 | Temperature controller |
| 6 | Fast freezer compartment* |
| 7 | Ice maker * |
| 8 | Ice cube container* |
| 9 | Light switch |
| 10 | Extendable glass shelf |
| 11 | Air outlet opening |
| 12 | Light (LED) |
| 13 | Shelf in the refrigerator compartment |
| 14 | Bottle shelf * |
| 15 | Cold storage compartment |
| 16 | Vegetable container |
| 17 | Height-adjustable feet |
| 18 | Egg rack |
| 19 | Door shelf |
| 20 | Shelf for large bottles |
| A | Freezer compartment |
| B | Refrigerator compartment |

Controls

- 1 **On/Off button**
Serves to switch the whole appliance on and off.
- 2 **Selection button for freezer compartment**
The freezer compartment temperature can be selected from $-24\text{ }^{\circ}\text{C}$ to $-16\text{ }^{\circ}\text{C}$.
The set temperature is indicated on display 3.
- 3 **Temperature display freezer compartment**
The numbers next to the temperature display lights correspond to freezer compartment temperatures in $^{\circ}\text{C}$. The lit lamp indicates the selected temperature.
- 4 **“Super” button (freezer compartment)**
Switches super freezing on and off.

Switching the appliance on

Fig. 1

Switch on the appliance with the On/Off button 1.

The temperature display 3 flashes until the appliance has reached the set temperature.

The appliance begins to cool. Light is switched on when the door is open.

We recommend the medium setting.

Operating tips

- When the appliance has been switched on, it may take several hours until the set temperatures have been reached.
- The fully automatic NoFrost system ensures that the freezer compartment remains free of ice. Defrosting is no longer required.
- The sides of the housing are sometimes heated slightly. This prevents condensation in the area of the door seal.
- If the freezer compartment door cannot be immediately re-opened after it has been closed, wait until the resulting low pressure has equalised.

Setting the temperature

Refrigerator compartment

Turn temperature controller, Fig. **1**/5, to the required setting.

We recommend a medium setting.

Higher settings lower the temperature in the refrigerator compartment.

Select a higher setting only temporarily if:

- the ambient temperature is high,
- door is opened frequently,
- large quantities of food are placed in the refrigerator compartment.

Freezer compartment

The temperature can be set from $-16\text{ }^{\circ}\text{C}$ to $-24\text{ }^{\circ}\text{C}$.

Keep pressing temperature setting button 2 until the required freezer compartment temperature is set.

The value last selected is saved. The set temperature is indicated on display 3.

Usable capacity

Information on the usable capacity can be found inside your appliance on the rating plate. Fig. **7**

Refrigerator compartment

The refrigerator compartment is the ideal storage location for ready meals, cakes and pastries, preserved food, condensed milk, hard cheese, fruit and vegetables sensitive to cold.

Note when loading products

Wrap or cover food before placing in the appliance. This will retain the aroma, colour and freshness of the food. In addition, flavours will not be transferred between foods and the plastic parts will not become discoloured.

Note

Avoid contact between food and rear panel. Otherwise the air circulation will be impaired.

Food or packaging could freeze to the rear panel.

Note the chill zones in the refrigerator compartment

The air circulation in the refrigerator compartment creates different chill zones:

- **Coldest zone** is on the rear panel inside the appliance and on the cold storage compartment. Fig. **1**/15

Note

Store perishable food e.g. fish, sausage, meat in the coldest zones.

- **Warmest zone**
is at the very top of the door.

Note

Store e.g. hard cheese and butter in the warmest zone. Cheese can then continue to release its flavour and the butter will still be easy to spread.

Freezer compartment

Use the freezer compartment

- To store deep-frozen food.
- To make ice cubes.
- To freeze food.

Note

Ensure that the freezer compartment door has been closed properly. If the door is open, the frozen food will thaw. The freezer compartment will become covered in thick ice. Also: waste of energy due to high power consumption!

Max. freezing capacity

Information about the max. freezing capacity within 24 hours can be found on the rating plate. Fig. **7**

Freezing and storing food

Purchasing frozen food

- Packaging must not be damaged.
- Use by the “use by” date.
- Temperature in the supermarket freezer must be $-18\text{ }^{\circ}\text{C}$ or lower.
- If possible, transport deep-frozen food in an insulated bag and place quickly in the freezer compartment.

Note when loading products

Freeze large quantities of food in the fast freezer compartment where food freezes particularly quickly and therefore also gently.

Food which is already frozen must not come into contact with the food which is to be frozen.

Freezing fresh food

Freeze fresh and undamaged food only.

To retain the best possible nutritional value, flavour and colour, vegetables should be blanched before freezing. Aubergines, peppers, zucchini and asparagus do not require blanching.

Literature on freezing and blanching can be found in bookshops.

Note

Keep food which is to be frozen away from food which is already frozen.

- The following foods are suitable for freezing:
Cakes and pastries, fish and seafood, meat, game, poultry, vegetables, fruit, herbs, eggs without shells, dairy products such as cheese, butter and quark, ready meals and leftovers such as soups, stews, cooked meat and fish, potato dishes, soufflés and desserts.
- The following foods are not suitable for freezing:
Types of vegetables, which are usually consumed raw, such as lettuce or radishes, eggs in shells, grapes, whole apples, pears and peaches, hard-boiled eggs, yoghurt, soured milk, sour cream, crème fraîche and mayonnaise.

Packing frozen food

To prevent food from losing its flavour or drying out, place in airtight containers.

1. Place food in packaging.
2. Remove air.
3. Seal the wrapping.
4. Label packaging with contents and date of freezing.

Suitable packaging:

Plastic film, tubular film made of polyethylene, aluminium foil, freezer containers.

These products are available from specialist outlets.

Unsuitable packaging:

Wrapping paper, greaseproof paper, cellophane, bin liners and used shopping bags.

Items suitable for sealing packaged food:

Rubber bands, plastic clips, string, cold-resistant adhesive tape, etc.

Bags and tubular film made of polyethylene can be sealed with a film heat sealer.

Shelf life of frozen food

Storage duration depends on the type of food.

At a temperature of $-18\text{ }^{\circ}\text{C}$:

- Fish, sausage, ready meals and cakes and pastries:
up to 6 months
- Cheese, poultry and meat:
up to 8 months
- Vegetables and fruit:
up to 12 months

Super freezing

Food should be frozen solid as quickly as possible in order to retain vitamins, nutritional value, appearance and flavour.

Several hours before placing fresh food in the freezer compartment, switch on super freezing to prevent an unwanted temperature rise.

As a rule, 4–6 hours is adequate.

This appliance runs constantly and the freezer compartment drops to a very low temperature.

If the max. freezing capacity is to be used, super freezing must be switched on for 24 hours before the fresh produce is placed in the freezer compartment.

Smaller quantities of food (up to 2 kg) can be frozen without “super freezing”.

Note

When super freezing is switched on, increased operating noises may occur.

Switching on and off

Fig. **1**

Press “super” button 4.

If the super freezing has been switched on the button is lit.

Super freezing automatically switches off after approx. 2½ days.

Thawing frozen food

Depending on the type and application, select one of the following options:

- at room temperature
- in the refrigerator
- in an electric oven, with/without fan assisted hot-air
- in the microwave



Caution

Do not refreeze thawing or thawed food. Only ready meals (boiled or fried) may be refrozen.

No longer store the frozen produce for the max. storage period.

Interior fittings

You can reposition the shelves inside the appliance and the door shelves as required:

- Pull shelf forwards, lower and swing out to the side.
- Raise the door shelf and remove.

Special features

(not all models)

Taking out the extendable glass shelf

Fig. **1**/10

The glass shelf can be removed for cleaning. To do this, pull out shelf, lift at the front and take out.

Bottle shelf

Fig. **1**/14

Bottles can be stored securely on the bottle shelf. The holder can be adjusted.

Cold storage compartment

Fig. 1/15

The cold storage compartment has lower temperatures than the refrigerator compartment. Even temperatures below 0 °C may occur.

Ideal for storing fish, meat and sausage. Not suitable for lettuce and vegetables and produce sensitive to cold.

Ice maker

Fig. 3

1. Remove the ice cube tray, fill $\frac{3}{4}$ full of drinking water and re-insert.
2. When the ice cubes are frozen, rotate the knobs on the ice cube trays several times to the right and release. The ice cubes loosen and fall into the storage container.
3. Remove ice cubes from the storage container.

Ice cube tray

Fill the ice cube tray $\frac{3}{4}$ full of drinking water and place in the freezer compartment.

If the ice tray is stuck to the freezer compartment, loosen with a blunt implement only (spoon-handle).

To loosen the ice cubes, twist the ice tray slightly or hold briefly under flowing water.

Vegetable container with humidity controller

Fig. 4

To create the optimum storage climate for fruit and vegetables, you can set the air humidity in the vegetable container depending on the quantity stored:

- smaller quantities of fruit and vegetables – high air humidity
- large quantities of fruit and vegetables – low air humidity

Notes

- Fruit sensitive to cold (e.g. pineapple, banana, papaya and citrus fruit) and vegetables sensitive to cold (e.g. aubergines, cucumbers, zucchini, peppers, tomatoes and potatoes) should be stored outside the refrigerator at temperatures of approx. +8 °C to +12 °C for optimum preservation of quality and flavour.
- Condensation may form in the vegetable container depending on the type and quantity of products stored. Remove condensation with a dry cloth and adjust air humidity in the vegetable container with the humidity controller.

Sticker “OK”

(not all models)

The “OK” temperature monitor can be used to determine temperatures below +4 °C. Gradually reduce the temperature if the sticker does not indicate “OK”.

Note

When the appliance is switched on, it may take 12 hours until the temperature is reached.



Correct setting

Switching off and disconnecting the appliance

Switching off the appliance

Fig. 1

Press the On/Off button 1.
Refrigerating unit and light switch off.

Disconnecting the appliance

If you do not use the appliance for a prolonged period:

1. Switch off the appliance.
2. Pull out mains plug or switch off fuse.
3. Clean the appliance.
4. Leave the appliance door open.

Defrosting

Refrigerator compartment

Defrosting is actuated automatically.

The condensation runs through the drainage hole into an evaporation pan on the rear of the appliance.

Freezer compartment

The fully automatic NoFrost system ensures that the freezer compartment remains free of ice. Defrosting is no longer required.

Cleaning the appliance

Caution

- Do not use abrasive, chloride or acidic cleaning agents or solvents.
- Do not use scouring or abrasive sponges.
The metallic surfaces could corrode.
- Never clean shelves and containers in the dishwasher.
The parts may become deformed!

Water used for cleaning must not drip into the

- slots in the front base area in the freezer compartment,
- controls,
- and light.

Proceed as follows:

1. Before cleaning: Switch off the appliance.
2. Pull out mains plug or switch off fuse.
3. Take out the frozen food and store in a cool location. Place the ice pack (if enclosed) on the food.
4. Wait until the layer of frost has thawed.
5. Clean the appliance with a soft cloth, lukewarm water and a little pH neutral washing-up liquid. The rinsing water must not run into the light.
6. Wipe the door seal with clear water only and then wipe dry thoroughly.
7. After cleaning reconnect and switch the appliance back on.
8. Put the frozen food back into the appliance.

Interior fittings

All variable parts of the appliance can be taken out for cleaning.

Take out glass shelves

Pull the glass shelves forwards and take out.

Light (LED)

Your appliance features a maintenance-free LED light.

These lights may be repaired by customer service or authorised technicians only.

Tips for saving energy

- Install the appliance in a dry, well ventilated room! The appliance should not be installed in direct sunlight or near a heat source (e.g. radiator, cooker).

If required, use an insulating plate.

- Allow warm food and drinks to cool down before placing in the appliance.
- Thaw frozen food in the refrigerator compartment and use the low temperature of the frozen food to cool refrigerated food.
- If available:
Fit wall spacers to obtain the indicated energy rating of the appliance (see Installation instructions). A reduced wall gap will not restrict the function of the appliance. The energy rating may then increase slightly. The gap of 75 mm must not be exceeded.

- Open the appliance as briefly as possible.
- To avoid increased power consumption, occasionally clean the back of the appliance.
- The arrangement of the fittings does not affect the energy rating of the appliance.

Operating noises

Quite normal noises

Droning

Motors are running (e.g. refrigerating units, fan).

Bubbling, humming or gurgling noises

Refrigerant is flowing through the tubing.

Clicking

Motor, switches or solenoid valves are switching on/off.

Cracking

Automatic defrosting is running.

Preventing noises

The appliance is not level

Please align the appliance with a spirit level. Use the height-adjustable feet or place packing underneath them.

The appliance is not free-standing

Please move the appliance away from adjacent units or appliances.

Containers or storage areas wobble or stick

Please check the removable parts and re-insert them correctly if required.

Bottles or receptacles are touching each other

Move the bottles or receptacles slightly away from each other.

Eliminating minor faults yourself

Before you call customer service:

Please check whether you can eliminate the fault yourself based on the following information.

Customer service will charge you for advice – even if the appliance is still under guarantee!

| Fault | Possible cause | Remedial action |
|--|--|--|
| Temperature differs greatly from the set value. | | <p>In some cases it is adequate to switch off the appliance for 5 minutes.</p> <p>If the temperature is too high wait a few hours and check whether the temperature has approached the set value.</p> <p>If the temperature is too low check the temperature again the next day.</p> |
| The light does not function. | <p>The LED light is defective.</p> <p>Appliance was open too long.</p> <p>Light is switched off after approx. 10 min.</p> | <p>See chapter “Light (LED)” section.</p> <p>When the appliance is closed and opened, the light is on again.</p> |
| Freezer compartment door was open for a long time; temperature is no longer reached. | The evaporator (refrigeration generator) in the NoFrost system is covered in thick ice and can no longer be defrosted fully automatically. | <p>To defrost the evaporator, remove the frozen food with the compartments, insulate well and store in a cool location.</p> <p>Switch off the appliance and move it away from the wall. Leave the appliance door open.</p> <p>After approx. 20 min. the condensation begins to run into the evaporation pan, at the rear of the appliance. Fig. 6</p> <p>To prevent the evaporation pan from overflowing in this case, mop up the condensation with a sponge.</p> <p>The evaporator is defrosted when the water stops running into the evaporation pan. Clean the interior. Switch the appliance back on again.</p> |

| Fault | Possible cause | Remedial action |
|---|---|---|
| Displays do not illuminate. | Power failure; the fuse has been switched off; the mains plug has not been inserted properly. | Connect mains plug. Check whether the power is on, check the fuses. |
| The temperature in the freezer compartment is too warm. | Appliance opened frequently. | Do not open the appliance unnecessarily. |
| | The ventilation openings have been covered. | Remove obstacles. |
| | Large quantities of fresh food are being frozen. | Do not exceed max. freezing capacity. |

Customer service

Your local customer service can be found in the telephone directory or in the customer-service index. Please provide customer service with the appliance product number (E-Nr.) and production number (FD).

These specifications can be found on the rating plate. Fig. **7**

To prevent unnecessary call-outs, please assist customer service by quoting the product and production numbers.

This will save you additional costs.

Repair order and advice on faults

Contact information for all countries can be found on the enclosed customer service list.

| | | |
|----|---------------|---|
| GB | 0844 892 8979 | Calls from a BT landline will be charged at up to 3 pence per minute. A call set-up fee of up to 6 pence may apply. |
| IE | 01450 2655 | 0.03 € per minute at peak. Off peak 0.0088 € per minute. |
| US | 800 944 2904 | toll-free |

Güvenlik ve ikaz bilgileri

Cihazı çalıştırmadan önce

Kullanma ve montaj kılavuzlarını dikkatlice okuyunuz! Bu kılavuzlarda cihazın kurulması, yerleştirilmesi, kullanılması ve bakımı ile ilgili önemli bilgiler bulunmaktadır.

Üretici, kullanma talimatlarındaki bilgi ve uyarıları dikkate almazsanız, herhangi bir sorumluluk üstlenmez. Tüm belge ve dokümanları sonradan kullanma ihtimalinden veya cihazı satacak olursanız, yeni sahibi için saklayınız.

Teknik güvenlik

Bu cihaz az miktarda, çevreye zarar vermeyen fakat yanıcı özelliği olan R600a soğutma maddesini ihtiva etmektedir. Cihaz taşınırken veya monte edilirken cihazın soğutucu madde sirkülasyon sistemindeki boruların zarar görmemesine dikkat ediniz. Dışarı fışkıran soğutucu madde tutuşup yanabilir veya göz yaralanmasına sebep olabilir.

Hasar durumunda

- Açık ateş veya alev kaynakları cihazdan uzak tutulmalıdır.
- Cihazın kurulu olduğu yer birkaç dakika havalandırılmalıdır.
- Cihazı kapatınız ve elektrik fişini çekip prizden çıkarınız.
- Yetkili servise haber verilmelidir.

Bir cihaz ne kadar fazla soğutucu madde ihtiva ederse, kurulduğu yer de o derece büyük olmalıdır. Çok küçük yerlerde, soğutma maddesi devresinde bir kaçak söz konusu olduğunda, yanıcı bir gaz hava karışımı oluşabilir.

Her 8 gram soğutucu madde için gerekli olan yerin hacmi en az 1 m³ kadardır. Cihazınızın içinde bulunan soğutma maddesinin miktarı, cihazın iç kısmındaki tip levhasında yazılıdır.

Eğer bu cihazın elektrik şebekesi kablosu zarar görürse, üretici, yetkili servis veya benzeri ustalık özelliklerine sahip başka bir kişi tarafından değiştirilmesi gerekir. Hatalı veya gerektiği şekilde yapılmayan kurma çalışmalarından ve onarımlardan dolayı cihazı kullanan kişi için oldukça önemli tehlikeler ortaya çıkabilir.

Onarımlar sadece üretici, yetkili servis veya benzeri eğitime sahip yetkili bir kişi tarafından yapılmalıdır.

Sadece üreticinin orijinal parçaları kullanılmalıdır. Üretici sadece bu parçalarda güvenlik taleplerine uyulduğunu garanti eder.

Elektrik şebekesi kablosu için bir uzatma parçası sadece yetkili servis üzerinden alınabilir.

Kullanım esnasında

- Cihazın içinde kesinlikle elektrikli cihazlar kullanmayınız (örn. ısıtma cihazları, elektrikli buz yapma makineleri vs.). Patlama tehlikesi!
- Cihazı temizlemek veya buzunu çözmek için asla buharlı temizleme cihazları kullanmayınız. Buhar elektrikli parçalara temas edebilir ve kısa devre olmasına sebep olabilir! Elektrik çarpma tehlikesi!
- Kar, kırıntı ve buz tabakalarını temizlemek için, sivri veya keskin kenarlı cisimler kullanmayınız. Aksi halde cihazın soğutucu madde boruları zarar görebilir. Dışarı fişkırان soğutucu madde tutuşup yanabilir veya göz yaralanmasına sebep olabilir.
- Cihazın içinde yanıcı tahrik gazı ihtiva eden ürünler (örn. sprey kutuları) ve patlayıcı maddeler bulundurmuyunuz. Patlama tehlikesi!
- Cihazın tabanını, raflarını, kapılarını ve bu gibi parçalarını basamak niyetine veya destek olarak kullanmayınız.
- Temizlik çalışmaları için, şebeke bağlantı fişini prizden çıkarınız veya sigortayı kapatınız. Fişi prizden çıkarırken, fişin kendisi tutulmalıdır, kablodan tutulup çekilmemelidir.
- Cihazın plastik parçalarına ve kapının contasına sıvı ve katı yağ değmemesine özen gösteriniz. Aksi halde bu parçalar delinip aşınabilir.
- Şişe ve kutu içindeki sıvı maddeleri (özellikle karbonik asit ihtiva eden içecekleri) dondurucu bölümünde depolamayınız. Şişe ve kutular patlayabilir!
- Ellerinizin uzun bir süre dondurulmuş besine, buza veya buharlaştırıcı borularına vs. temas etmesini önleyiniz. Donma yanığı tehlikesi!
- Dondurulmuş besinleri kesinlikle dondurucudan çıkarır çıkarmaz ağızınıza almayınız. Donma yanığı tehlikesi!

- Alkol oranı yüksek olan sıvı dolu şişeleri iyice kapatarak ve dik olarak buzdolabına koyunuz.
- **Çocuklar ve tehlikeye maruz kalabilecek kişiler için söz konusu olabilecek risklerin önlenmesi:**

Çocuklar ve bedensel, ruhsal veya algısal yetenekleri sınırlı olan veya cihazın güvenli kullanılması hakkında yeterince bilgisi olmayan kişiler tehlikeye maruz kalabilecek kişiler olarak kabul edilirler.

Çocukların ve söz konusu tehlikeye maruz kalabilecek kişilerin tehlikeleri anlamış olmasını sağlayınız.

Güvenlikten sorumlu bir kişi çocukları ve tehlikeye maruz kalabilecek kişileri cihaz kullanılırken denetlemeli veya onlara rehberlik etmelidir.

Sadece 8 yaşından büyük çocukların cihazı kullanmasına izin veriniz.

Temizleme ve bakım çalışmalarında çocukları denetleyiniz.

Çocukların cihaz ile oynamasına kesinlikle izin verilmemelidir.

- Cihazın hava giriş ve çıkış delikleri kesinlikle örtülmemeli ve önleri kapatılmamalıdır.

Evdeki çocuklar

- Ambalajları ve ambalaj parçalarını çocuklara vermeyiniz. Katlanan kartonlardan ve folyolardan dolayı boğulma tehlikesi söz konusudur!
- Bu cihaz, çocuk oyuncuğu değildir.
- Kilit tertibatı olan cihazlarda: Anahtarı çocukların erişemeyecekleri bir yerde muhafaza ediniz!

Genel yönetmelikler

Cihaz,

- besinlerin soğutulması ve dondurulması için kullanılır,
- buz yapmak için kullanılır,
- içme suyu almak için kullanılır.

Bu cihaz evde ve ev ortamında kişisel kullanımınız içindir, ticari amaçlı kullanım için öngörülmemiştir.

Cihaz, 2004/108/EC

AB direktiflerine istinaden parazitlenmeye karşı korunmuştur.

Soğutucu madde devresinin sızdırmazlığı kontrol edilmiştir.

Bu ürün, elektrikli cihazlar için geçerli olan güvenlik yönetmeliklerine uygundur (EN 60335-2-24).

Giderme bilgileri

Yeni cihazın Ambalajının giderilmesi

Ambalaj, cihazınızı transport hasarlarına karşı korur. Ambalajda kullanılmış olan tüm malzemeler, çevreye zarar vermeyen türdendir ve yeniden kullanılabilir. Lütfen siz de yardımcı olunuz: Ambalajı çevreye zarar vermeyecek şekilde gideriniz.

Güncel giderme yol ve yöntemleri hakkında bilgi edinmek için, lütfen yetkili satıcınıza veya bağlı olduğunuz belediye idaresine başvurunuz.

Eski cihazın giderilmesi

Eski cihazlar, hiç değeri olmayan çöp değildir! Çevreci bir giderme işleminden geçirilerek, çok değerli ham maddeler yeniden kullanılmak üzere değerlendirilebilir.



Bu ürün 2012/19/EU sayılı Atık Elektrikli ve Elektronik Ekipmanlar Direktifi'ne göre etiketlenmiştir. Ulusal yönetmelik (Türkiye Resmi Gazetesi No:28300 Tarih: 22.05.2012) Avrupa genelinde geçerli olan, ürünlerin geri toplanması ve geri dönüştürülmesi ile ilgili yapıyı belirtir.

Uyarı

Eskimiş ve artık kullanılmayacak cihazlarda:

1. Elektrik fişini çekip prizden çıkarınız.
2. Elektrik kablosunu kesip, fişi ile birlikte cihazdan ayırınız.

3. Çocukların cihazın içine girmesini zorlaştırmak için, rafları, çekmeceleri ve eşya gözlerini cihazdan çıkarmayınız.
4. Çocukların eskimiş cihaz ile oynamasına izin vermeyiniz. Boğulma tehlikesi!

Soğutma cihazlarının içinde soğutucu maddeler vardır, yalıtım tertibatlarında ise izolasyon gazları vardır. Soğutucu maddeler ve gazlar uzmanca giderilmelidir. Eski cihaz uzmanca ve çevreye zarar vermeyecek şekilde giderilinceye kadar, soğutucu madde sirkülasyon borularının zarar görmemesine dikkat ediniz.

Teslimat kapsamı

Ambalajdan çıkardıktan sonra, tüm parçaları olası transport hasarları açısından kontrol ediniz.

Şikayet veya itiraz söz konusu olduğunda, lütfen cihazı satın aldığınız yetkili satıcınıza veya yetkili servisimize başvurunuz.

Teslimat kapsamı, aşağıdaki parçalardan oluşmaktadır:

- Solo cihaz
- Donanım (modele bağlı)
- Montaj malzemelerini içeren torba
- Kullanma kılavuzu
- Montaj kılavuzu
- Yetkili servis defteri
- Garanti ekleri
- Enerji tüketimi ve çalışma sesleri ile ilgili bilgiler

Mekan sıcaklığına ve havalandırmaya dikkat edilmelidir

Mekan sıcaklığı

Bu cihaz belli bir klima sınıfı için tasarlanmıştır. Klima sınıfına bağlı olarak bu cihazı şu çevre sıcaklıklarında kullanabilirsiniz.

İklim sınıfı tip levhasının üzerinde bulunur, Resim 7.

| Klima sınıfı | Kabul edilebilir mekan sıcaklığı |
|--------------|----------------------------------|
| SN | +10 °C ile 32 °C |
| N | +16 °C ile 32 °C |
| ST | +16 °C ile 38 °C |
| T | +16 °C ile 43 °C |

Bilgi

Cihaz, bildirilmiş klima sınıfına ait oda sıcaklığı sınırları dahilinde, sahip olduğu tüm işlevleri ile çalışır. Eğer SN klima sınıfına dahil olan bir cihaz daha soğuk oda sıcaklıklarında işletilirse, +5 °C'ye kadar cihazda herhangi bir hasar olmayacağı garanti edilir.

Havalandırma

Resim 2

Cihazın arka yüzündeki ve yan yüzlerindeki hava ısınır. Isınan bu havanın kolayca çıkıp gidebilmesi gerekir. Aksi halde soğutucunun daha fazla çalışması gerekir. Bu da daha fazla elektrik sarfiyatına yol açar. Bu sebepten dolayı: Havalandırma deliklerinin önünün kesinlikle kapanmamasına dikkat ediniz!

Cihazın elektrik şebekesine bağlanması

Cihazı kurduktan sonra, çalıştırmadan önce en az 1 saat bekleyiniz. Transport esnasında, kompresörün içindeki yağ soğutma sistemi içine dağılıbilir.

Cihazı ilk kez devreye sokmadan önce, cihazın içini temizleyiniz (bakınız bölüm "Cihazın temizlenmesi").

Elektrik bağlantısı

Priz cihazın yakınında ve cihaz kurulduktan sonra da rahat ulaşılabilir olmalıdır.

Bu cihaz, koruma sınıfı I tipi bir cihazdır. Cihazı 220–240 V/50 Hz alternatif akım üzerinden, kurallara uygun şekilde monte edilmiş, toprak hattına sahip bir prize bağlayınız. Priz, 10–16 A değerinde bir sigortaya sahip olmalıdır.

Avrupa ülkelerinde işletilmeyen cihazlarda, bildirilen gerilimin ve akım türünün, sizin elektrik şebekenizin değerleri ile uyuşup uyuşmadığı kontrol edilmelidir. Bu bilgileri tip etiketi (levhası) üzerinde bulabilirsiniz. Resim 7

⚠ Uyarı

Bu cihaz kesinlikle elektronik enerji tasarruf prizlerine bağlanmamalıdır.

Cihazlarımızın işletilmesinde şebeke ve sinüs kontrollü konvertörler kullanılabilir. Şebeke kontrollü konvertörler, doğrudan umumi elektrik şebekesine bağlanan fotovoltaik sistemlerde kullanılır. Umumi elektrik şebekesine doğrudan bağlantısı olmayan tekil uygulamalarda (örn. gemilerde veya dağ evlerinde ya da dağ kulübelerinde), sinüs kontrollü konvertörler kullanılmalıdır.

Cihaz özelliklerinin öğrenilmesi



Lütfen önce resimlerin bulunduğu son sayfayı açınız. Bu kullanma kılavuzu birçok cihaz modeli için geçerlidir. Modellerin donanım kapsamı farklı olabilir.

Resimlerde farklılıklar olabilir.

Resim **1**

* Her model için geçerli değil.

- 1-4 Kumanda elemanları
- 5 Isı ayar düğmesi
- 6 Hızlı dondurma bölmesi*
- 7 Buz hazırlayıcı *
- 8 Küp buz kabı*
- 9 Işık şalteri
- 10 Dışarı çekilebilen cam raf
- 11 Hava çıkış delikleri
- 12 Aydınlatma (LED)
- 13 Soğutma bölmesindeki raflar
- 14 Şişe rafı *
- 15 Soğuk depolama bölümü
- 16 Sebze kabı
- 17 Vidalı ayaklar
- 18 Yumurtalık
- 19 Kapı rafı
- 20 Büyük şişe rafı

- A Dondurucu bölmesi
- B Soğutucu bölmesi

Kumanda elemanları

- 1 **Açma/kapama tuşu**
Tüm cihazın açılması ve kapatılması için kullanılır.
- 2 **Dondurucu bölmesi ayar tuşu**
Dondurucu bölmesinin sıcaklığı, -24 °C den -16 °C ye kadar ayarlanabilir.
Ayarlanmış olan sıcaklık ilgili göstergede 3 gösterilir.
- 3 **Dondurucu bölmesi ısı derecesi göstergesi**
Sıcaklık göstergesi lambalarındaki sayılar, dondurucu bölmesi sıcaklıklarına (°C) eşittir. Yanan lamba ise, ayarlanmış olan dereceyi gösterir.
- 4 **"süper" düğmesi (Dondurucu bölmesi)**
Süper dondurma fonksiyonunun açılmasına ve kapatılmasına yarar.

Cihazın devreye sokulması

Resim **1**

Cihazı Açma/Kapatma tuşu 1 ile devreye sokunuz.

Cihazda ayarlanmış olan ısı derecelerine ulaşıncaya kadar, ısı derecesi göstergesi 3 yanıp söner.

Cihaz soğutmaya başlar. Cihazın kapısı açıkken, aydınlatma da açıktır.

Cihazda fabrikadan çıkış ayarı olarak orta bir sayı ayarlanmasını öneriyoruz.

İşletme hakkında bilgiler

- Devreye sokma işleminden sonra, ayarlanmış ısı derecelerine ulaşıncaya kadar birkaç saat geçebilir.
- Tam otomatik NoFrost sistemi sayesinde, dondurucu bölümünde buz oluşmaz. Bu nedenle, buz çözme işlemi yapılması gerekmez.
- Gövdenin ön yüzleri kısmen biraz ısıtılır; böylelikle kapı contasının bulunduğu alanda terlemeden kaynaklanan su oluşması önlenir.
- Dondurucu bölümünün kapısı kapatıldıktan sonra hemen tekrar açılmazsa, oluşmuş olan vakum dengeleninceye kadar, biraz bekleyiniz.

Dondurucu bölümü

Isı derecesi $-16\text{ }^{\circ}\text{C}$ ile $-24\text{ }^{\circ}\text{C}$ arasında ayarlanabilir.

İstedığınız dondurucu bölümü ısı derecesi ayarlanıncaya kadar, ısı ayar tuşuna 2 arka arkaya basınız.

Son olarak ayarlanmış olan değer hafızaya kaydedilir. Ayarlanmış olan sıcaklık ilgili göstergede 3 gösterilir.

Kullanılabilen hacim

Cihazın kullanılabilen hacmi ile ilgili bilgiler için, cihazın tip etiketine (levhasına) bakınız. Resim **7**

Sıcaklık derecesinin ayarlanması

Soğutucu bölümü

Isı ayar düğmesini, Resim **1**/5, istediğiniz ayar konumuna çeviriniz.

Orta değerde bir ayar seçmenizi öneriyoruz.

Yüksek bir ayar sayısı, soğutucu bölümünde daha soğuk bir derece elde edilmesini sağlar.

Daha yüksek bir ayarı sadece aşağıdaki durumlarda geçici olarak ayarlayınız:

- Yüksek oda ısı derecesi,
- Cihaz kapısının sık açılması,
- Soğutucu bölümüne çok miktarda besin yerleştirilmesi.

Soğutucu bölümü

Soğutucu bölümü, hazır yemekler, hamur işleri, konserveler, yağlı kahve sütü (kondanse), sert peynir ve düşük derecelere karşı hassas meyve ve sebzeler için idealdir.

Yerleştirirken dikkat edilecek konular

Besinleri ambalajlı veya iyice kapatılmış olarak dolaba yerleştiriniz. Böylelikle aroma, renk ve tazelik korunmuş olur. Ayrıca besinler arasında birbirlerine tad ve koku verme olayı ve plastik parçaların renginin değişmesi önlenmiş olur.

Bilgi

Besinler ve cihazın iç arka yüzü arasında temas olmasını önleyiniz. Aksi halde hava dolaşımı kötü etkilenebilir.

Besinler veya ambalajlar donarak cihazın iç arka yüzüne yapışabilir.

Soğutucu bölmesindeki soğuk kısımlara dikkat

Soğutucu bölmesindeki hava sirkülasyonundan dolayı, farklı soğukluk derecelerine sahip kısımlar oluşur:

- **En soğuk alan,** cihazın iç kısmında arka yüzde ve soğuk depolama gözü içindedir. Resim 1/15

Bilgi

En soğuk kısımlarda hassas besinleri (örn. balık, sucuk, et) muhafaza ediniz.

- **En sıcak alan,** kapıda en üst kısımdadır.

Bilgi

En sıcak alanda örn. sert peynir ve tereyağı muhafaza ediniz. Böylelikle peynir tadını geliştirmeye devam eder, tereyağı ise ekmeğe sürülebilir kıvamda kalır.

Dondurucu bölmesi

Dondurucu bölmesinin kullanımı

- Dondurucu bölmesi.
- Küp buz üretmek için.
- Besin dondurmak için.

Bilgi

Dondurucu bölmesinin kapısının daima kapalı olmasına dikkat ediniz! Kapı açık olduğu zaman, dondurulmuş besinlerin buzu çözülür. Dondurucu bölmesi yoğun buz tutar. Ayrıca: Yüksek elektrik akımı tüketiminden dolayı gereksiz enerji harcanması söz konusudur!

Azami dondurma kapasitesi

24 saat içinde elde edilebilecek azami dondurma kapasitesi ile ilgili bilgiler için tip levhasına bakınız. Resim 7

Besinlerin dondurulması ve depolanması

Derin dondurulmuş besin satın alınması

- Ambalaj zarar görmemiş olmalıdır.
- Son kullanma tarihine dikkat edilmelidir.
- Satış sandığındaki ısı derecesi -18°C veya daha soğuk olmalıdır.
- Derin dondurulmuş besinleri mümkünse bir izole eden poşet veya çanta içinde sevk ediniz ve en kısa zamanda dondurucu bölmesine yerleştiriniz.

Yerleştirirken dikkat edilecek konular

Çok miktarda besin söz konusu olduğunda, hızlı dondurma gözünde dondurunuz. Besinler orada daha çabuk ve böylelikle daha hassas dondurulur. Önceden dondurulmuş olan besinler, yeni dondurulacak olan besinler ile temas etmemelidir.

Taze besinlerin dondurulması

Dondurmak için sadece taze ve iyi besinler kullanınız.

Besi değerinin, aromanın ve rengin mümkün olduğu kadar korunması için, sebze dondurulmadan önce kısa haşlanmalıdır. Patlıcanlarda, biberlerde, kabaklarda ve kuşkonmazda kısa haşlama işlemi yapılması gerekmez.

Dondurma ve kısa haşlama hakkında literatür veya bilgi kaynakları için kitapçılara bakınız.

Bilgi

Dondurulacak besinlerin, önceden dondurulmuş besinler ile temasını önleyiniz.

- Dondurulmaya elverişli besinler: Hamur işleri, balık ve deniz ürünleri, et, av eti, kanatlılar, sebze, meyve, otsu baharatlar, kabuksuz yumurta, peynir, tereyağı ve süzme yoğurt gibi süt ürünleri, hazır yemekler, çorba, turlü, pişmiş et ve balık gibi yemek artıkları, patates yemekleri, sufleler ve tatlı besinler.
- Dondurulmaya elverişli olmayan besinler: Yaprak salata, kırmızı turp, kabuğu içinde yumurta, üzüm, bütün elma, armut ve şeftali, katı pişmiş yumurta, yoğurt, kesilmiş süt, krema, crème fraîche ve mayonez.

Dondurulmuş besinlerin ambalajlanması

Besinleri hava giremeyecek şekilde paketleyiniz ki, tadı bozulmasın veya kurumasin. Besinleri ambalajlamak için veya besin kaplarını kapatmak için, sağlığa zararlı olabilecek malzemeler kullanmayınız.

1. Besinleri ambalaja koyunuz.
2. Havayı bastırıp boşaltınız.
3. Ambalajı sıkı ve hava sızmayacak şekilde kapatınız.
4. Ambalaj üzerine içindeki besinlerin ismini ve dondurma tarihini yazınız.

Ambalaj olarak kullanılabilir uygun malzemeler:

Plastik folyo, polietilenden torba folyo, alüminyum folyo ve dondurmak için uygun kutular.

Bu ürünleri ve malzemeleri ilgili alışveriş merkezlerinde bulabilirsiniz.

Paketlemek için şu malzemeler uygun değildir:

Paketleme kağıdı, parşömen kağıdı, selofan (jelatinli kağıt), çöp torbası ve kullanılmış poşetler.

Paket kapatmak için uygun malzemeler:

Lastik halkalar, plastik klipsler, bağlama iplikleri, soğuğa dayanıklı yapışkan bantlar veya benzeri malzemeler.

Polietilenden torba ve hortum folyoları, bir folyo kaynak yapıştırma cihazı ile yapıştırılabilir.

Dondurulmuş besinlerin son kullanma tarihi

Dondurulmuş besinlerin dayanma süresi,

-18 °C ısı derecesi ayarında:

- Balık, sucuk, hazır yemek, hamur ürünleri:
6 aya kadar
- Peynir, kanatlı hayvanlar, et:
8 aya kadar
- Sebze, meyve:
12 aya kadar

Süper dondurma

Vitaminlerin, besi değerlerinin, görünüşün ve tadın korunması için, besinler mümkün olduğu kadar hızlı bir şekilde ortalarına kadar tamamen dondurulmalıdır.

Taze besin yerleştirmeden birkaç saat önce süper dondurma fonksiyonunu devreye sokarak, taze besinler yerleştirildiğinde söz konusu olabilecek istenmeyen ısı derecesi yükselmesini önleyiniz.

Genel olarak 4–6 saat kadar önceden çalıştırmak yeterlidir.

Bu fonksiyon devreye sokulduktan sonra, kompresör sürekli çalışır ve dondurucu bölmesinde çok düşük bir dereceye ulaşılır.

Azm. dondurma kapasitesi kullanılmak isteniyorsa, taze besin yerleştirilmeden 24 saat önce süper dondurma fonksiyonu devreye sokulmalıdır.

Az miktarda besin (azami 2 kg kadar), süper dondurma fonksiyonu kullanılmadan da dondurulabilir.

Bilgi

Süper dondurma devreye sokulmuşsa, daha fazla işletme sesleri duyulabilir.

Açılması ve kapatılması

Resim 1

”super” tuşuna 4 basınız.

Süper soğutma fonksiyonu açık olduğu zaman, ilgili tuş yanar.

Süper dondurma fonksiyonu yakl.

2½ gün sonra otomatik olarak kapanır.

Dondurulmuş besinlerin buzunun çözülmesi

Besin çeşitlerine ve kullanım amacına göre, şu olanaklar arasında seçme yapılabilir:

- Oda sıcaklığında
- Buzdolabında
- Elektrikli fırında, sıcak hava ventilatörü kullanılarak/kullanılmadan
- Mikrodalga fırında



Dikkat

Buzu çözülmeye başlamış veya çözülmüş olan besinleri tekrar dondurmuyunuz. Bu besinleri ancak pişirdikten sonra (pişiriniz veya kızartınız) yeniden dondurabilirsiniz.

Bu durumda besinin azami depolama süresini tamamen kullanmayınız.

Donanım

İç kısmın raflarını, kapı içindeki rafları ve gözleri, ihtiyacınıza göre değiştirebilirsiniz:

- Rafi öne doğru çekiniz, ön kısmı aşağı indiriniz ve yana doğru çevirip çıkarınız.
- Kapı içindeki rafı veya gözü yukarı kaldırınız ve dışarı çıkarınız.

Özel donanım

(her modelde değil)

Dışarı çekilebilen cam rafın cihazdan çıkarılması

Resim 1/10

Cam raf, temizlenmek üzere dışarı çıkarılabilir. Bunun için cam rafı cihazdan dışarı çekiniz, ön tarafını yukarı kaldırınız ve dışarı çıkarınız.

Şişe rafı

Resim 1/14

Şişe rafında şişeler emin bir şekilde muhafaza edilebilir. Tutucu düzen değişkendir.

Soğuk depolama bölümü

Resim 1/15

Soğuk depolama gözünde, soğutucu bölmesinden daha düşük dereceler elde edilir. 0 °C altında dereceler de söz konusu olabilir.

Balık, et ve sucuk depolamak için idealdir. Salata, sebze ve soğuğa karşı hassas besinler için uygun değildir.

Buz yapma ünitesi

Resim 3

1. Buz kabını dışarı çıkarınız, içine $\frac{3}{4}$ içme suyu doldurunuz ve yeniden yerine takınız.
2. Küp buzlar donduktan sonra, buz kabının tutamaklarını birkaç kez sağa doğru bükünüz ve serbest bırakınız. Küp buzlar çözülür ve buz stok kabınının içine düşer.
3. Küp buzları stok kabından alabilirsiniz.

Buz kabı

Buz kabının $\frac{3}{4}$ kadarını içme suyu ile doldurunuz ve kabı dondurucu bölümüne yerleştiriniz.

Buz kabı tabana yapışırsa, keskin ve sivri olmayan bir cisim ile çözmeye çalışınız (kaşık sapı).

Küp buzları buz kabından çıkarmak için, kabı kısa bir süre musluktan akan su altına tutunuz veya biraz sağa sola bükünüz.

Nem ayar düzeneğine sahip sebze kabı

Resim 4

Meyve ve sebzeler için en iyi depolama iklimini sağlamak için, depolanacak besin miktarına bağlı olarak, sebze kabı içindeki hava neminin oranı ayarlanabilir:

- Az miktarda meyve ve sebze – Yüksek hava nemi oranı
- Çok miktarda meyve ve sebze – Düşük hava nemi oranı

Bilgiler

- Soğuk derecelere karşı hassas meyveler (örn. ananas, muz, papaya ve narenciyeler) ve sebzeler (örn. patlıcan, salatalık, kabak, biber, domates ve patates), kalitenin ve aromanın en iyi şekilde korunması için buzdolabının dışında, yaklaşık +8 °C ila +12 °C'de arasında depolanmalıdır.
- Depolama miktarına ve depolanan besine göre, sebze kabı içinde su yoğunlaşması söz konusu olabilir. Yoğuşan suyu kuru bir bez ile siliniz ve sebze kabı içindeki hava nemi oranını nem ayar sürgüsü üzerinden uygun şekilde ayarlayınız.

Çıkartma "OK"

(her modelde değil)

"OK" ısı derecesi kontrolü ile, +4 °C altındaki ısı dereceleri tespit edilebilir. Eğer çıkartma "OK" göstermezse, ısı derecesini kademeli olarak daha soğuk bir dereceye ayarlayınız.

Bilgi

Cihaz yeni devreye sokulduğunda, ayarlanmış ısı derecesine ulaşması 12 saat kadar sürebilir.

OK

Doğru ayar

Cihazın kapatılması, cihazın tamamen kapatılması

Cihazın kapatılması

Resim **1**

Açma/Kapama tuşuna 1 basılmalıdır. Kompresör ve aydınlatma kapanır.

Cihazın tamamen kapatılması

Eğer cihaz uzun bir süre kullanılmayacaksa:

1. Cihazı kapatınız.
2. Bunu emin bir şekilde sağlayabilmek için, elektrik bağlantı fişini prizden çıkarınız veya cihazın bağlı olduğu sigortayı kapatınız.
3. Cihaz temizlenmelidir.
4. Cihazın kapısı açık bırakılmalıdır.

Cihazın buzunun çözülmesi

Soğutucu bölmesi

Buz çözme işlemi otomatik gerçekleşir. Erimiş su, akıp boşalma deliği üzerinden, cihazın arka yüzündeki buharlaşma kabına akar.

Dondurucu bölmesi

Tam otomatik NoFrost sistemi sayesinde, dondurucu bölümünde buz oluşmaz. Bu nedenle, buz çözme işlemi yapılması gerekmez.

Cihazın temizlenmesi

⚠ Dikkat

- Kum, klor veya asit içeren temizleme maddeleri ve çözücü maddeler kullanmayınız.
- Ovalama gerektiren veya çizen süngerler kullanmayınız.
Metalik yüzeylerde korozyon oluşabilir.
- Raflar ve kaplar kesinlikle bulaşık makinesinde yıkanmamalıdır.
Aksi halde bu parçalar deforme olabilir.

Temizleme suyu,

- dondurucu bölmesinin ön taban kısmındaki deliklere,
- kumanda elemanları içine,
- ve aydınlatma sisteminin içine girmemelidir.

Aşağıdaki işlemleri uygulayınız:

1. Temizleme işleminden önce cihazı kapatınız.
2. Elektrik fişi çekilip prizden çıkarılmalı veya cihazın bağlı olduğu sigorta kapatılmalıdır.
3. Dondurulmuş besinleri cihazdan dışarı çıkarınız ve serin bir yerde muhafaza ediniz. Soğutma akülerini (varsa) besinlerin üzerine yerleştiriniz.

4. Kırağı tabakasının erimesini bekleyiniz.
5. Cihazı yumuşak bir bez, ılık su ve pH değeri nötr olan bir bulaşık deterjanı ile temizleyiniz. Deterjanlı temizleme suyu aydınlatmaya girmemelidir.
6. Kapı contası sadece temiz su ile silinmelidir ve ardından iyice silinip kurulanmalıdır.
7. Temizleme işleminden sonra: Cihazı yine bağlayınız ve devreye sokunuz.
8. Şimdi dondurulmuş besinleri yeniden cihaza yerleştiriniz.

Dolab

Temizlenmek amacıyla, cihazın tüm yeri değiştirilebilen parçaları dışarı çıkarılabilir.

Cam rafların dışarı çıkarılması

Cam rafları öne doğru çekiniz ve dışarı çıkarınız.

Aydınlatma (LED)

Cihazınız, bakım istemeyen bir LED aydınlatması ile donatılmıştır.

Bu aydınlatma donanımında yapılacak onarımlar sadece yetkili servis veya yetkilendirilmiş uzman elemanlar tarafından uygulanmalıdır.

Enerji tasarrufu

- Cihazı serin ve iyi havalandırılmış bir yere kurunuz! Güneş ışınları doğrudan cihazın kurulacağı yere gelmemeli ve cihaz sıcaklık oluşturan cisimlerin ve ısı kaynaklarının (örn. soba, kalorifer, ocak, fırın gibi) yanına veya yakınına kurulmamalıdır.
Gerekirse bir izolasyon plakası kullanınız.
- Sıcak besinleri ve içecekleri cihaza yerleştirmeden önce soğumasını bekleyiniz ve soğuduktan sonra cihaza yerleştiriniz.
- Dondurulmuş besinleri buzlarının çözülmesi için soğutucu bölümüne yerleştirerek, bu besinlerin soğukluğunu söz konusu bölümdeki besinlerin soğutulması için kullanınız.
- Cihaz kapılarını mümkün olduğu kadar kısa açınız.
- Daha fazla elektrik tüketiminin önlenmesi için, cihazın arka yüzü ara sıra temizlenmelidir.
- Eğer mevcutsa:
Duvara mesafe koruma parçalarını monte ederek, cihazın bildirilmiş enerji alma gücüne ulaşmasını sağlayınız (montaj kılavuzuna bakınız). Duvara olan mesafenin azalması, cihazın işlevini sınırlamaz veya düşürmez. Bu durumda, cihazın çektiği enerji miktarı biraz yükselebilir. 75 mm mesafe aşılmasıdır.
- Donanım parçalarının düzeni, cihazın enerji alma veya çekme tutumunu etkilemez.

Çalışma sesleri

Normal çalışma ses ve gürültüleri

Boğuk horultu

Motorlar çalışıyor (örn. soğutma ünite grubu, ventilatör).

Fıkırtı, şırıltı ve tınlama sesleri

Boruların içinde soğutma maddesi akıyor.

Çıtlama sesi

Motor, şalter veya manyetik valfler açılıyor/kapanıyor.

Çatırdama

Otomatik buz çözme yapıyor.

Gürültü oluşmasının önlenmesi

Cihaz düz yerleştirilmemiş

Cihazı lütfen bir su terazisinin yardımı ile dengeli ayarlayınız. Düzeltme işlemi için cihazın ayarlanabilen vidalı ayarlarını kullanınız veya altına uygun parçalar koyunuz.

Cihaz bir yere "temas" ediyor

Cihazı, temas ettiği mobilya veya cihazlardan ayırınız.

Kaplar veya raflar sallanıyor veya sıkışıyor

Dışarı çıkarılabilen parçaları kontrol ediniz ve gerekirse yeniden takınız.

Şişeler veya kaplar birbirine değiyor

Şişeleri veya kapları birbirinden biraz ayırınız.

Basit hataları kendiniz giderebilirsiniz

Yetkili servisi çağırmadan önce:

Aşağıdaki talimatların yardımıyla arızayı kendinizin giderip gideremeyeceğinizi kontrol ediniz.

Garanti süresi içerisinde dahi, bu gibi durumlarda servis görevlisinin masraflarının tümünü kendiniz ödemek zorundasınız!

| Arıza | Muhtemel sebebi | Giderilmesi |
|---|--|--|
| Sıcaklık derecesi, yapılmış ayardan çok daha farklı. | | Bazı durumlarda cihazı 5 dakika kapatmanız yeterlidir. Isı derecesi çok sıcak ise, birkaç saat sonra ısı derecesinin ayar derecesine yaklaşmış olduğunu kontrol ediniz. Sıcaklık derecesi düşükse, yani çok soğuksa, sıcaklık derecesini ertesi gün tekrar kontrol ediniz. |
| Aydınlatma çalışmıyor. | LED aydınlatma bozuk. Cihaz kapısı veya kapağı çok uzun bir süre açık kaldı. Aydınlatma yakl. 10 dakika sonra kapatılır. | Bakınız bölüm "Aydınlatma (LED)". Cihaz kapısı veya kapağı kapatılıp açıldıktan sonra, aydınlatma yine yanar. |
| Dondurucu bölümünün kapısı uzun süre açık kaldı; artık ayarlanmış sıcaklığa ulaşamıyor. | NoFrost sistemindeki evaporatör (soğuk üretici) aşırı oranda buz tutmuş ve bu nedenle tam otomatik buz çözme işlemini yapamıyor. | Evaporatörün buzunu çözmek için, dondurulmuş besinleri çekmeceler veya içine kondukları gözler ile birlikte cihazdan dışarı çıkarınız ve iyice izole ederek, serin bir yerde muhafaza ediniz. Cihazı kapatınız ve iteleyerek duvardan uzaklaştırınız. Cihazın kapısı açık bırakılmalıdır. Yaklaşık 20 dakika sonra, eriyen su cihazın arka yüzündeki buharlaşma kabının içine akmaya başlar. Resim 6 Bu işlem esnasında buharlaşma kabının taşmasını önlemek için, eriyen suyu bir sünger ile emerek kabın boşlmasını sağlayınız. Buharlaşma kabına artık buz suyu eriyip akmayınca, evaporatörün buzunu çözülmüş demektir. Cihazın içini temizleyiniz. Cihazı tekrar çalıştırınız. |

| Arıza | Muhtemel sebebi | Giderilmesi |
|--|---|--|
| Herhangi bir gösterge yanmıyor. | Elektrik kesintisi; sigorta kapalı; elektrik fişi prize iyi takılmamış. | Elektrik fişini takınız. Elektrik akımı olup olmadığı kontrol edilmelidir, sigortalar kontrol edilmelidir. |
| Dondurucu bölmesinin derecesi çok sıcak. | Cihazın çok sık açılması. | Cihazı gereksiz açmayınız. |
| | Hava giriş ve çıkış deliklerinin önü kapanmış. | Engeller giderilmelidir. |
| | Çok miktarda taze besin donduruldu. | Azami dondurma kapasitesi aşılmamalıdır. |

Yetkili servis

Size yakın bir yetkili servisimizi telefon rehberinde veya yetkili servis listesinde bulabilirsiniz. Lütfen yetkili servisimizi çağırdığınız zaman, cihazın ürün numarasını (E-Nr.) ve imalat numarasını (FD) bildiriniz.

Bu numaraları, tip levhasının üzerinde bulabilirsiniz. Resim **7**

Cihazın ürün numarasını ve imalat numarasını bildirmek suretiyle, gereksiz gidip gelme masraflarını ve zaman kaybını önlemiş olursunuz. Böylelikle ilgili fazla masraflardan tasarruf etmiş olursunuz.

Arızalarda onarım siparişi ve danışma

Tüm ülkelerin iletişim bilgileri için, ekteki yetkili servis listesine bakınız.

TR 444 6333 Çağrı merkezini sabit hatlardan aramanın bedeli şehir içi ücretlendirme, Cep telefonlarından ise kullanılan tarifeye göre değişkenlik göstermektedir.

Указания по безопасности и предупреждения

Прежде чем ввести прибор в эксплуатацию

Внимательно прочтите инструкцию по монтажу и эксплуатации! В ней содержится важная информация по установке, использованию и техническому обслуживанию прибора.

Изготовитель не несет никакой ответственности за последствия, если Вы не соблюдали указания и предупреждения, приведенные в инструкции по эксплуатации. Сохраните всю документацию для позднейшего использования или для передачи ее следующему владельцу прибора.

Техническая безопасность

В бытовом приборе содержится незначительное количество экологически чистого, но воспламеняющегося хладагента R600a. Проследите, пожалуйста, чтобы при транспортировке или установке бытового прибора не были повреждены трубки контура, по которому циркулирует хладагент. Брызги хладагента могут воспламениться или, попав в глаза, привести к их поражению.

При повреждениях:

- Не подходите близко к бытовому прибору с открытым пламенем или какими-либо иными источниками воспламенения,
- хорошо проветрите помещение в течение нескольких минут,
- выключите холодильник и извлеките вилку из розетки,
- сообщите о повреждениях в сервисную службу.

Чем большее количество хладагента содержится в бытовом приборе, тем больше должно быть помещение, в котором он установлен. В слишком маленьких помещениях при утечке хладагента может образоваться горючая смесь паров хладагента с воздухом.

На каждые 8 г хладагента должен приходиться как минимум 1 м³ помещения. Количество хладагента, содержащееся в Вашем бытовом приборе, приведено в фирменной табличке, расположенной внутри бытового прибора.

В случае повреждения сетевой шнур данного прибора заменяется изготовителем, сервисной службой или специалистом с соответствующей квалификацией. Неквалифицированно выполненные установка и ремонт бытового прибора могут превратить его в источник серьезной опасности для пользователя.

Ремонт производится только изготовителем, сервисной службой или специалистом с соответствующей квалификацией.

Разрешается использовать только оригинальные запчасти изготовителя. Только в отношении этих деталей изготовитель гарантирует, что они отвечают требованиям техники безопасности.

Удлинитель сетевого шнура можно приобретать только в сервисной службе.

При эксплуатации

- Никогда не использовать электрические приборы внутри прибора (напр.: нагревательные приборы, электрические мороженицы и т.д.). Взрывоопасность!
- Никогда не размораживать и не чистить прибор с помощью пароочистителя! Пар может попасть на электрические детали и вызвать короткое замыкание. Опасность поражения электрическим током!
- Иней и лед нельзя удалять с помощью предметов с острым концом и острыми краями. Тем самым Вы можете повредить трубки, по которым циркулирует хладагент. Брызги хладагента могут воспламениться или привести к поражению глаз.

- Не хранить продукты с горючими газами-вытеснителями (напр., аэрозольные баллончики), а также взрывоопасные вещества.
Взрывоопасность!
- Не использовать цокольную подставку, вытяжные полки, дверцы и т.д. в качестве подножки или опоры.
- Перед чисткой холодильника следует извлечь вилку из розетки или выключить предохранитель. При извлечении вилки из розетки следует тянуть за вилку, а не за сетевой шнур.
- Крепкие алкогольные напитки хранить только плотно закрытыми и стоя.
- Не допускать попадания масла или жира на пластмассовые детали и уплотнитель дверцы. Иначе пластмассовые детали и уплотнитель дверцы станут пористыми.
- Никогда не закрывать и не загораживать вентиляционные отверстия прибора.

■ Предупреждение рисков для детей и подверженных опасности лиц:

К подверженным опасности лицам относятся дети, лица с физическими и психическими ограничениями или с ограниченным восприятием, а также лица, не обладающие достаточными знаниями для надежной эксплуатации прибора.

Убедитесь в том, что дети и подверженные опасности лица осознали грозящие опасности.

При использовании прибора, дети и подверженные опасности лица должны находиться под надзором или руководством лица, отвечающего за их безопасность.

Пользование прибором можно позволять только детям старше 8 лет.

Во время чистки и технического обслуживания дети должны находиться под надзором.

Ни в коем случае не позволять детям играть с прибором.

- В морозильном отделении нельзя хранить жидкости в бутылках или жестяных банках (особенно газированные напитки). Бутылки и банки могут лопнуть!

- Замороженные продукты никогда не брать в рот сразу после извлечения из морозильного отделения. Опасность холодового ожога!
- Избегайте продолжительного контакта рук с замороженными продуктами, льдом или трубками испарителя и т.д. Опасность холодового ожога!

Если в доме есть дети

- Упаковку и ее составные части нельзя отдавать детям. Существует опасность удушья, которой дети подвергаются, закрывшись в картонной коробке или запутавшись в полиэтиленовой пленке!
- Холодильник – это не игрушка для детей!
- В случае с холодильниками, дверь которых закрывается на замок: храните ключ от замка в недоступном для детей месте!

Общая информация

Бытовой прибор предназначен

- для охлаждения и замораживания продуктов питания,
- для приготовления пищевого льда,
- для выдачи охлажденной воды.

Этот прибор предназначен для использования в частном домашнем хозяйстве и в бытовых условиях.

Согласно предписаниям Директивы ЕС 2004/108/ЕС, бытовой прибор при работе не создает радиопомех.

Контур циркуляции хладагента проверен на герметичность.

Данный бытовой прибор отвечает соответствующим требованиям Предписаний по технике безопасности для электрических приборов (EN 60335-2-24).

Указания по утилизации

Утилизация упаковки

Весь упаковочный материал, который использовался для защиты холодильника при транспортировке, пригоден для вторичной переработки и не наносит вреда окружающей среде. Внесите, пожалуйста, и Вы свой вклад в дело защиты окружающей среды, сдав упаковку на экологичную утилизацию.

Информацию об актуальных методах утилизации Вы можете получить у Вашего торгового агента или в административных органах по месту Вашего жительства.

Утилизация старого холодильника

Отслужившие свой срок старые бытовые холодильники нельзя рассматривать как бесполезные отходы! Благодаря экологичной утилизации из них удастся получить ценное сырье.



Данный прибор имеет отметку о соответствии европейским нормам 2012/19/EU утилизации электрических и электронных приборов (waste electrical and electronic equipment - WEEE).

Данные нормы определяют действующие на территории Евросоюза правила возврата и утилизации старых приборов.

Предупреждение

В случае с отслужившими свой срок холодильниками:

1. Извлеките вилку из розетки.
2. Отрежьте сетевой шнур и уберите его подальше вместе с вилкой.
3. Полки, боксы и контейнеры извлекать не следует, чтобы дети не смогли забраться внутрь холодильника!
4. Не позволяйте детям играть со старым бытовым прибором. Опасность душья!

В холодильной установке содержится хладагент, а в изоляции бытового прибора – газы, утилизация которых должна проводиться квалифицированно. Трубки контура, по которому циркулировал хладагент, ни в коем случае не должны быть повреждены до начала утилизации.

Объем поставки

Убедитесь в отсутствии возможных повреждений элементов при транспортировке, освободив все элементы от упаковки.

С рекламациями обращайтесь в магазин, в котором Вы приобрели прибор, или в нашу сервисную службу.

В комплект поставки входят следующие элементы:

- Напольный прибор
- Оснащение (в зависимости от модели)
- Мешок с монтажными материалами
- Инструкция по эксплуатации
- Инструкция по монтажу
- Книжка сервисной службы
- Гарантия в приложении
- Информация о расходе электроэнергии и шумах

Температура окружающей среды и вентиляция

Температура окружающей среды

Холодильник относится к определенному климатическому классу. В зависимости от климатического класса, холодильник может работать при приведенных ниже значениях температуры окружающей среды.

Климатический класс прибора указан в его типовой табличке (рисунок **7**).

| Климатический класс | Допустимая температура окружающей среды |
|---------------------|---|
| SN | от +10 °C до +32 °C |
| N | от +16 °C до +32 °C |
| ST | от +16 °C до +38 °C |
| T | от +16 °C до +43 °C |

Указание

Полная функциональность прибора обеспечена в пределах температуры окружающей среды указанного климатического класса. Если прибор климатического класса SN работает при более низкой температуре окружающей среды, то повреждения прибора можно исключить до температуры +5 °C.

Вентиляция

Рисунок **2**

Воздух у задней стенки прибора и у его боковых стенок нагревается. Нагретый воздух должен иметь возможность беспрепятственно подниматься вверх. Иначе холодильный агрегат должен будет работать с повышенной нагрузкой. А это повышает расход электроэнергии. Поэтому: Никогда не закрывайте и ничем не загораживайте вентиляционные отверстия холодильника!

Подключение бытового прибора

После установки бытового прибора следует подождать как минимум 1 час и только потом вводить его в эксплуатацию. Так как не исключено, что во время транспортировки бытового прибора содержащееся в компрессоре масло могло попасть в систему охлаждения.

Перед вводом бытового прибора в эксплуатацию в первый раз следует почистить его изнутри (смотрите раздел «Чистка бытового прибора»).

Электроподключение

Розетка должна находиться вблизи прибора и в свободно доступном месте даже после установки прибора.

Прибор соответствует классу защиты I. Прибор подключайте к сети переменного тока 220–240 В/50 Гц с помощью установленной надлежащим образом розетки с заземлителем. Сетевая розетка должна быть оснащена предохранителем на 10–16 А.

В случае с бытовыми приборами, которые будут эксплуатироваться в неевропейских странах, необходимо проследить, чтобы значение напряжения и вид тока совпадали с параметрами электросети пользователя. Все эти данные Вы сможете найти в типовой табличке холодильника, рисунок **7**

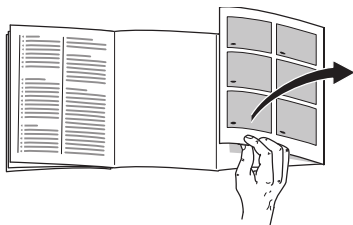


Предупреждение

Прибор нельзя ни в коем случае подключать к электронным энергосберегающим штекерам.

Для использования наших бытовых приборов можно применять ведомые сетью и синусные инверторы. Ведомые сетью инверторы применяются в фотогальванических энергетических установках, которые подсоединяются непосредственно к общественной сети энергоснабжения. В изолированных условиях (напр., на кораблях или в горных приютах) без непосредственного подсоединения к общественной электросети необходимо применение синусных инверторов.

Знакомство с бытовым прибором



Откройте, пожалуйста, последние страницы с рисунками. Данная инструкция по эксплуатации действительна для нескольких моделей.

Комплектация моделей может отличаться друг от друга.

Поэтому в рисунках не исключены некоторые отличия.

Рисунок **1**

* Не во всех моделях.

- 1-4 Элементы управления
- 5 Регулятор температуры
- 6 Отделение для быстрого замораживания продуктов*
- 7 Приспособление для приготовления пищевого льда *
- 8 Емкость для хранения кубиков пищевого льда*
- 9 Выключатель освещения
- 10 Выдвижная стеклянная полка
- 11 Отверстие для выхода воздуха
- 12 Освещение (на светодиодах)
- 13 Полки в холодильном отделении
- 14 Полка для бутылок *
- 15 Отделение с пониженной температурой
- 16 Ящик для овощей и фруктов
- 17 Винтовые ножки
- 18 Полка для яиц

- 19 Полка на двери холодильника
- 20 Полка для больших бутылок
- A Морозильное отделение
- B Холодильное отделение

Элементы управления

- 1 **Кнопка включения/выключения**
Главный выключатель служит для включения и выключения всего прибора.
- 2 **Кнопка регулировки температуры в морозильном отделении**
Температуру в морозильном отделении можно регулировать в диапазоне от $-24\text{ }^{\circ}\text{C}$ до $-16\text{ }^{\circ}\text{C}$.
Установленная температура выводится на дисплей 3.
- 3 **Индикация температуры в морозильном отделении**
Цифры над лампочками обозначают температуру в морозильном отделении в $^{\circ}\text{C}$. Светящаяся лампочка показывает установленную температуру.
- 4 **Кнопка «super» морозильное отделение**
Служит для включения и выключения суперзамораживания.

Включение бытового прибора

Рисунок **1**

Включите бытовой прибор с помощью кнопки включения/выключения 1.

Индикация температуры 3 мигает, пока в приборе не будет достигнута установленная температура.

Прибор начнет производить холод. Освещение при открытой дверце включено.

Мы с завода рекомендуем среднее установочное значение.

Указания по эксплуатации

- Прибору может потребоваться после включения несколько часов для достижения установленного уровня температуры.
- Благодаря полностью автоматической системе «NoFrost» внутри морозильного отделения лед не образуется. В размораживании отделения больше нет необходимости.
- Передняя сторона корпуса местами слегка подогревается, что препятствует образованию конденсата вокруг уплотнителя дверцы.
- Если после закрывания морозильного отделения дверцу не удается сразу снова открыть, то подождите, пожалуйста, некоторое время, пока компенсируется создавшееся внутри отделения пониженное давление.

Установка температуры

Холодильное отделение

Установите регулятор температуры, рисунок **1**/5, в необходимом Вам установочном положении.

Мы рекомендуем устанавливать регулятор в среднее положение.

Чем выше установочное значение, тем ниже температура в холодильном отделении.

Включите более высокое установочное значение только на короткое время в следующих случаях:

- высокая температура окружающей среды,
- частое открывание дверей,
- загрузка большого количества продуктов в холодильное отделение.

Морозильное отделение

Температура регулируется в диапазоне от -16°C до -24°C .

Нажимайте на кнопку установки температуры 2 до тех пор, пока не будет установлена необходимая Вам температура в морозильном отделении.

Заданное в последнюю очередь значение записывается в память. Установленная температура выводится на дисплей 3.

Полезный объем

Данные, касающиеся полезного объема, Вы сможете найти, внутри своего бытового прибора на типовой табличке. Рисунок 7

Холодильное отделение

Холодильное отделение обеспечивает идеальные условия для хранения готовых блюд, выпечки, консервов, сгущенного молока, твердого сыра, а также чувствительных к низким температурам фруктов и овощей.

При расположении продуктов обратите внимание на следующее

Продукты питания следует хранить в плотной упаковке или в закрытой посуде. В результате останутся неизменными аромат, цвет и свежесть продуктов. Кроме того, удастся избежать изменения вкуса продуктов в результате их соприкосновения друг с другом, а также изменения цвета пластмассовых деталей.

Указание

Избегайте касания продуктами питания задней стенки. Это нарушит циркуляцию воздуха.

Продукты питания или упаковки могут примерзнуть к задней стенке.

Обратите внимание на различные температурные зоны в холодильном отделении

Из-за циркуляции воздуха в холодильном отделении возникают различные температурные зоны:

- **Зона самой низкой температуры** находится внутри у задней стенки и в отделении с пониженной температурой. Рисунок 1/15

Указание

В месте наиболее сильного охлаждения следует хранить скоропортящиеся продукты питания (например, рыбу, колбасу, мясо).

- **Зона самой высокой температуры** находится в самой верхней части дверцы.

Указание

Храните в зоне самых высоких температур, напр., твердый сыр и масло. Таким образом, аромат сыра может развиваться дальше, а консистенция масла останется мягкой.

Морозильное отделение

Использование морозильного отделения

- Для хранения замороженных продуктов питания.
- Для приготовления кубиков пищевого льда.
- Для замораживания свежих продуктов.

Указание

Следите, пожалуйста, за тем, чтобы дверца морозильного отделения всегда была закрыта! Так как при открытой двери замороженные продукты могут подтаять и стенки морозильного отделения покрываются толстым слоем льда. Кроме того: расточительно расходуется электроэнергия из-за повышенного потребления тока!

Макс. производительность замораживания

Данные по макс. производительности замораживания в течение 24 часов Вы найдете в фирменной табличке.

Рисунок **7**

Замораживание и хранение продуктов

Покупка замороженных продуктов

- Упаковка не должна быть повреждена.
- Обращайте внимание на указанный срок хранения.
- Температура в морозильном шкафу в магазине должна быть $-18\text{ }^{\circ}\text{C}$ или ниже.
- Замороженные продукты перед транспортировкой следует по возможности сложить в термоизолирующую сумку и дома побыстрее загрузить в морозильное отделение.

При расположении продуктов обратите внимание на следующее

В бытовой прибор было загружено за один раз большее чем обычно количество продуктов. Там они замораживаются очень быстро и благодаря этому в щадящих условиях.

Уже замороженные продукты не должны соприкасаться со свежими продуктами, только предназначенными для замораживания.

Замораживание свежих продуктов питания

Для замораживания следует брать только абсолютно свежие продукты питания.

Чтобы как можно лучше сохранить пищевую ценность, аромат и цвет, овощи следует перед замораживанием бланшировать. Бланширование не требуется для баклажанов, сладкого стручкового перца, кабачков и спаржи.

Литературу о замораживании и бланшировании Вы найдете в книжных магазинах.

Указание

Постарайтесь, чтобы предназначенные для замораживания свежие продукты питания не соприкасались с уже замороженными продуктами.

- Замораживать можно: выпечку, рыбу и морепродукты, мясо, дичь, птицу, овощи, фрукты, зелень, яйца без скорлупы, молочные продукты, напр., сыр, масло и творог, готовые блюда и остатки приготовленных блюд, напр., супы, рагу, приготовленные мясо и рыбу, блюда из картофеля, запеканки и сладкие блюда.
- Замораживать нельзя: употребляемые в пищу преимущественно в сыром виде овощи, напр., листовые салаты или редиска, яйца в скорлупе, виноград, целые яблоки, груши, персики, сваренные вкрутую яйца, йогурт, простоквашу, сметану, крем-фреш и майонез.

Упаковка продуктов для замораживания

Упакуйте продукты герметично, чтобы они не потеряли вкус и не вымерзли.

1. Положите продукты в упаковку.
2. Выдавите из упаковки весь воздух.
3. Герметично закройте упаковку.
4. Укажите на упаковке, что в ней находится, и когда продукты были заморожены.

В качестве упаковки можно использовать:

пленку из различных синтетических материалов, рукава из полиэтиленовой пленки, алюминиевую фольгу, специальные емкости для замораживания продуктов. Всю эту продукцию Вы найдете в специализированных магазинах.

В качестве упаковки нельзя использовать:

упаковочную или пергаментную бумагу, целлофан, мешки для мусора, использованные полиэтиленовые пакеты.

Для закрывания упаковки можно использовать:

резиновые кольца, пластмассовые зажимы, шпагат, морозостойкую клейкую ленту и пр.

Мешки и рукава из полиэтиленовой пленки можно заварить с помощью специального сварочного аппарата.

Продолжительность хранения замороженных продуктов

Срок хранения продуктов питания зависит от их вида.

При температуре $-18\text{ }^{\circ}\text{C}$:

- Рыба, колбаса, готовые блюда, хлебо-булочные изделия:
до 6 месяцев
- Сыр, птица, мясо:
до 8 месяцев
- Овощи, фрукты:
до 12 месяцев

Суперзамораживание

Чтобы в замороженных продуктах сохранились витамины и питательные вещества, а также не испортились их привлекательный вид и хороший вкус, продукты должны как можно быстрее промерзнуть до самой сердцевины.

Включите суперзамораживание за несколько часов перед загрузкой свежих продуктов в целях предупреждения нежелательного повышения температуры.

В общем и целом достаточно 4–6 часов.

После включения данной функции прибор работает непрерывно. В морозильном отделении устанавливается очень низкая температура.

Для использования максимальной производительности замораживания, включите суперзамораживание за 24 часа до загрузки свежих продуктов. Небольшие количества продуктов питания (до 2 кг) можно замораживать без включения суперзамораживания.

Указание

Во время работы суперзамораживания эксплуатационный шум может усиливаться.

Включение и выключение функции

Рисунок **1**

Нажмите кнопку «super» 4.

После включения функции суперзамораживания эта кнопка загорается.

Функция суперзамораживания выключается автоматически через $2\frac{1}{2}$ дня.

Размораживание продуктов

В зависимости от вида и способа приготовления продуктов можно выбрать один из следующих способов их размораживания:

- при комнатной температуре,
- в холодильном отделении,
- в электрическом духовом шкафу, с обдувом горячим воздухом или без,
- в микроволновой печи.



Внимание

Подтаявшие или полностью размороженные продукты нельзя снова замораживать. Только после тепловой обработки продуктов (их можно сварить или поджарить) готовые блюда можно снова заморозить.

Но их нельзя хранить так же долго, как и замороженные свежие продукты.

Специальное оснащение

При необходимости Вы можете переставить полки, расположенные внутри холодильного отделения и на его дверце, в другое место:

- Потяните полку на себя, опустите ее спереди и затем извлеките ее сбоку из направляющих.
- Дверную полку приподнимите и снимите.

Специальное оснащение

(не во всех моделях)

Извлечение выдвижной стеклянной полки

Рисунок 1/10

Стеклянная полка извлекается для мытья. Для этого потяните полку к себе, приподнимите спереди и извлеките.

Полка для бутылок

Рисунок 1/14

На эту полку можно складывать бутылки, не боясь, что они упадут. Держатель можно передвигать.

Отделение с пониженной температурой

Рисунок 1/15

В отделении с пониженной температурой создается более низкая температура, чем в холодильном отделении. Температура может опускаться даже ниже 0 °С.

Эти условия идеальны для хранения рыбы, мяса и колбасы. Листовые салаты, овощи и продукты, чувствительные к воздействию низкой температуры, здесь хранить нельзя.

Льдогенератор

Рисунок 3

1. Извлечь ванночку для льда, заполнить на $\frac{3}{4}$ питьевой водой и вставить обратно.
2. Когда кубики льда замерзнут, повернуть ручки ванночек несколько раз вправо и затем отпустить. Кубики льда отсоединятся от ванночки и упадут в емкость для их хранения.
3. Достать кубики льда из емкости для их хранения.

Ванночка для льда

Ванночку для льда заполните на $\frac{3}{4}$ питьевой водой и поместите в морозильное отделение.

Примерзшую ванночку для льда отделять только тупым предметом (ручкой ложки).

Для извлечения кубиков льда, ванночку немного подержать под проточной водой или слегка изогнуть.

Контейнер для овощей с регулятором влажности

Рисунок 4

Для создания оптимальных условий хранения для фруктов и овощей Вы можете отрегулировать влажность воздуха в контейнере для овощей в соответствии с количеством загруженных продуктов:

- малое количество фруктов и овощей – высокая влажность воздуха
- большое количество фруктов и овощей – низкая влажность воздуха

Указания

- Чувствительные к низким температурам фрукты (напр.: ананасы, бананы, папайю и цитрусовые) и овощи (напр.: баклажаны, огурцы, цуккини, паприку, помидоры и картофель) для оптимального сохранения качества и аромата следует хранить вне холодильника при температурах от +8 °С до +12 °С.
- В зависимости от количества и вида хранимых продуктов в контейнере для овощей может образовываться конденсат. Вытереть конденсат сухой тряпочкой и отрегулировать влажность воздуха в контейнере для овощей при помощи регулятора влажности.

Наклейка «ОК»

(не во всех моделях)

С помощью наклейки «ОК», предназначенной для контроля температуры, можно определять температуру ниже +4 °С. Если на наклейке отсутствует слово «ОК», то необходимо постепенно, шаг за шагом, понизить температуру.

Указание

При вводе холодильника в эксплуатацию необходимая температура может устанавливаться в течение 12 часов.



Правильная установка

Выключение прибора и вывод его из эксплуатации

Выключение бытового прибора

Рисунок **1**

Нажмите кнопку включения/выключения 1.
Холодильный агрегат и освещение выключаются.

Вывод прибора из эксплуатации

Если Вы не будете пользоваться прибором в течение продолжительного времени:

1. Выключите прибор.
2. Извлеките вилку из розетки или выключите предохранитель.
3. Проведите чистку прибора.
4. Оставьте дверцу прибора открытой.

Размораживание

Холодильное отделение

Размораживание проводится автоматически.

Талая вода сливается через дренажное отверстие в испарительный поддон, который расположен на задней стенке холодильника.

Морозильное отделение

Благодаря полностью автоматической системе «NoFrost» внутри морозильного отделения лед не образуется. В размораживании отделения больше нет необходимости.

Чистка прибора

Внимание

- Не использовать средства для чистки и растворители, содержащие песок, хлорид или кислоты.
- Не использовать абразивные и царапающие губки.
На металлических поверхностях может появиться коррозия.
- Никогда не мыть полки и контейнеры в посудомоечной машине.

Детали могут деформироваться!

Используемая для протирки вода не должна попасть

- В прорези, имеющиеся в передней части дна морозильного отделения,
- элементы управления,
- в систему освещения.

Выполните следующие действия:

1. Выключайте прибор перед чисткой.
2. Извлечь вилку из розетки или выключить предохранитель.
3. Извлечь замороженные продукты и положить их в прохладное место. Аккумулятор холода (если таковой имеется в комплекте поставки) положить сверху на продукты.
4. Подождать, пока слой инея не растает.

5. Для чистки прибора пользуйтесь мягкой тряпочкой и теплой водой с небольшим количеством моющего средства с нейтральным pH. Не допускать попадания моющей воды в систему освещения.
6. Уплотнитель дверцы протереть только чистой водой и затем тщательно вытереть насухо.
7. После чистки: снова подключите прибор к электросети и включите его.
8. Загрузить обратно замороженные продукты.

Специальное оснащение

Для чистки все передвижные элементы прибора вынимаются.

Извлечение стеклянных полок

Потяните стеклянные полки к себе и извлеките.

Освещение (на светодиодах)

Ваш холодильник оснащен системой освещения на светодиодах, которая не нуждается в техобслуживании.

Ремонт освещения данного типа должен проводиться лишь силами специалистов уполномоченного сервисного центра или квалифицированными специалистами, имеющими на это разрешение.

Как сэкономить электроэнергию

- Бытовой прибор следует установить в сухом, хорошо проветриваемом помещении! Он не должен стоять на солнце или поблизости от источника тепла (например, радиатора отопления, электроплиты).

При необходимости воспользуйтесь плитой из изолирующего материала.

- Теплые продукты и напитки перед размещением в приборе следует охладить.
- Замороженные продукты поместите для размораживания в холодильное отделение, чтобы использовать холод замороженных продуктов для охлаждения продуктов.
- Закрывайте двери прибора как можно быстрее.
- В целях предупреждения повышенного расхода электроэнергии заднюю стенку бытового прибора следует чистить время от времени.
- При наличии: Установите дистанцирующий элемент для соблюдения расстояния от стенки, чтобы обеспечить указанное потребление электроэнергии прибора (смотрите инструкцию по монтажу). Недостаточное расстояние от стенки не ограничивает функциональность прибора. Потребление электроэнергии может в таком случае незначительно повыситься. Расстояние не должно превышать 75 мм.
- Порядок размещения элементов оснащения не влияет на потребление электроэнергии прибором.

Рабочие шумы

Обычные шумы

Гудение

Работают двигатели (напр., холодильные агрегаты, вентилятор).

Бульканье или жужжание

Хладагент течет по трубам.

Щелчки

Включаются или выключаются двигатель, выключатель или магнитные клапаны.

Потрескивание

Происходит автоматическое размораживание.

Как избежать посторонних шумов

Холодильник стоит неровно

Выверните, пожалуйста, холодильник с помощью ватерпаса. Отрегулируйте по высоте винтовые ножки холодильника или подложите что-нибудь под него.

Холодильник «зажат»

Отодвиньте, пожалуйста, холодильник от стоящей рядом мебели или других бытовых приборов.

Шатающиеся или заклинившие боксы или полки

Проверьте, пожалуйста, как установлены съемные детали и, при необходимости, расположите их правильно.

Бутылки или прочие емкости прикасаются друг к другу

Немного отодвиньте, пожалуйста, бутылки или емкости друг от друга.

Самостоятельное устранение мелких неисправностей

Прежде чем вызвать Службу сервиса:

проверьте, не сможете ли Вы устранить неполадки самостоятельно с помощью приведенных ниже рекомендаций.

Вам придется оплачивать вызов специалистов Службы сервиса для консультации самостоятельно – даже во время гарантийного периода!

| Неисправность | Возможная причина | Устранение |
|---|--|--|
| Фактическое значение температуры сильно отличается от установленного. | | <p>В некоторых случаях достаточно выключить холодильник на 5 минут.</p> <p>Если температура слишком высокая, то проверьте через несколько часов, не приблизилось ли фактическое значение температуры к заданному.</p> <p>Если температура слишком низкая, то проверьте ее на следующий день еще раз.</p> |
| Дверца морозильного отделения была слишком долго открытой; установленная температура больше не достигается. | Испаритель (производитель холода) в системе «NoFrost» слишком сильно обледенел, из-за чего он больше не может оттаивать полностью автоматически. | <p>На время размораживания испарителя необходимо извлечь замороженные продукты вместе с ящиками и положить их на хранение в прохладное место, позаботившись об их хорошей теплоизоляции.</p> <p>Выключите холодильник и отодвиньте его от стены. Оставьте дверцу прибора открытой.</p> <p>Примерно через 20 минут талая вода начнет стекать в поддон для испарения, расположенный на задней стенке холодильника. Рисунок 6</p> <p>Во избежание переливания талой воды через край поддона испарителя следует несколько раз собрать излишки воды с помощью губки.</p> <p>Когда вода перестает стекать в поддон, испаритель оттаял. Проведите чистку бытового прибора изнутри. Введите холодильник в эксплуатацию.</p> |
| Не горит ни один из индикаторов. | Отключили электроэнергию; сработал предохранитель; вилка «болтается» в розетке. | <p>Подключите штепсельную вилку к сети. Посмотрите, есть ли напряжение в электросети, проверьте предохранители.</p> |

| Неисправность | Возможная причина | Устранение |
|--|---|---|
| Освещение не функционирует. | Система освещения на светодиодах вышла из строя. | Смотрите раздел «Освещение (на светодиодах)». |
| | Бытовой прибор оставался слишком долгое время открытым. | После открытия и закрытия дверцы прибора освещение включается снова. |
| | Освещение отключится спустя ок. 10 минут. | |
| В морозильном отделении слишком высокая температура. | Слишком часто открывались дверцы бытового прибора. | Не открывайте бытовой прибор без надобности. |
| | Закреты вентиляционные отверстия. | Уберите мешающие предметы. |
| | Замораживание слишком большого количества свежих продуктов питания. | Загружайте морозильное отделение с учетом макс. производительности замораживания. |

Служба сервиса

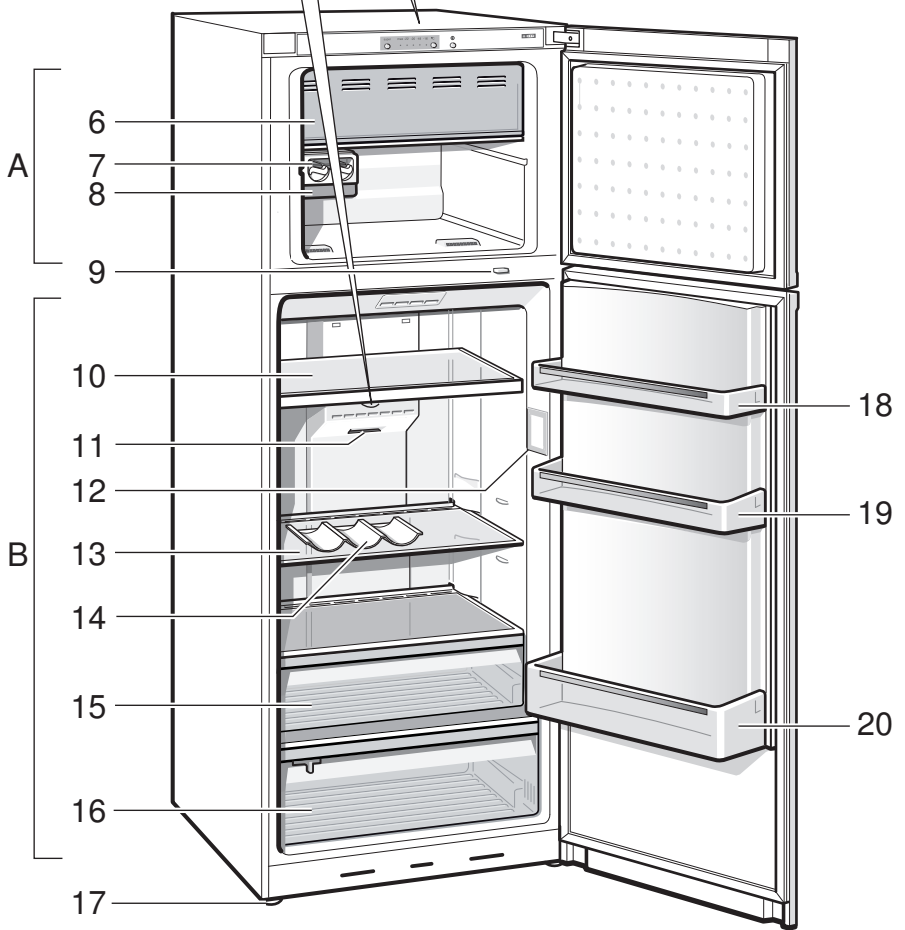
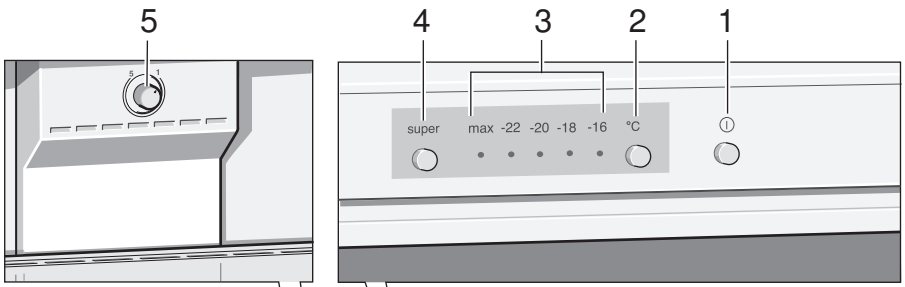
Телефон и адрес расположенного неподалеку от Вас уполномоченного сервисного центра Вы сможете найти в телефонной книге или в перечне сервисных центров. При обращении в Службу сервиса назовите, пожалуйста, номер изделия (E-Nr.) и заводской номер (FD) Вашего холодильника.

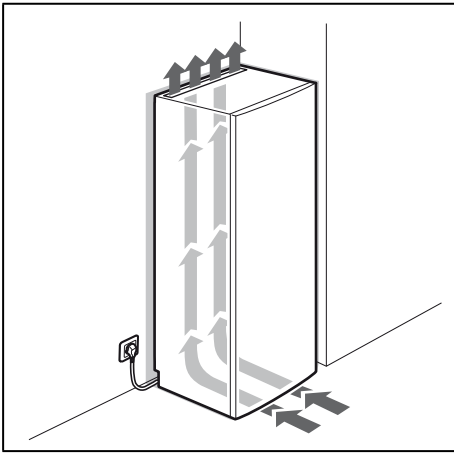
Эти данные Вы найдете в фирменной табличке. Рисунок **7**

Помогите, пожалуйста, избежать ненужных выездов специалистов, правильно указав заводской номер и номер изделия. Тем самым Вы сэкономите связанные с этим расходы.

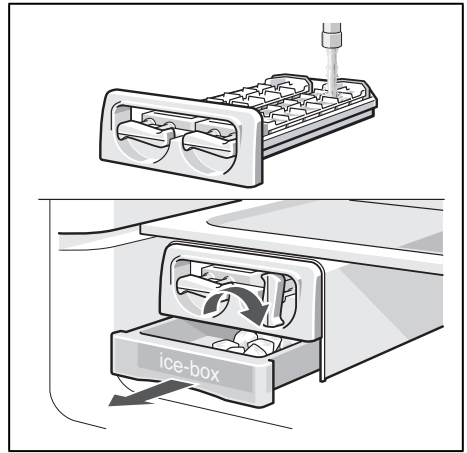
Заявка на ремонт и консультация при неполадках

Контактные данные всех стран Вы найдёте в приложенном списке сервисных центров.

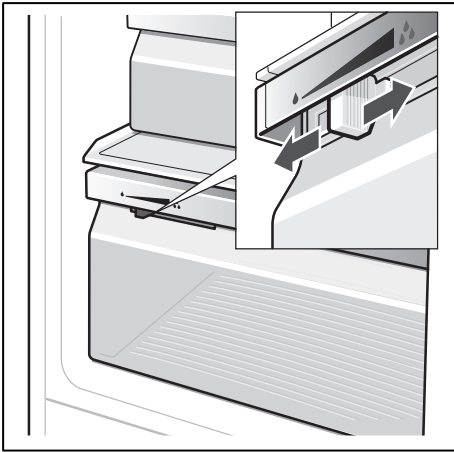




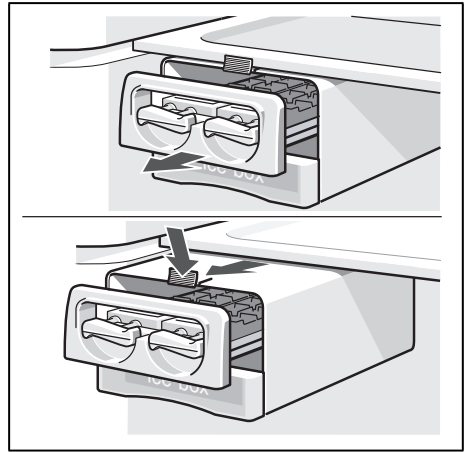
2



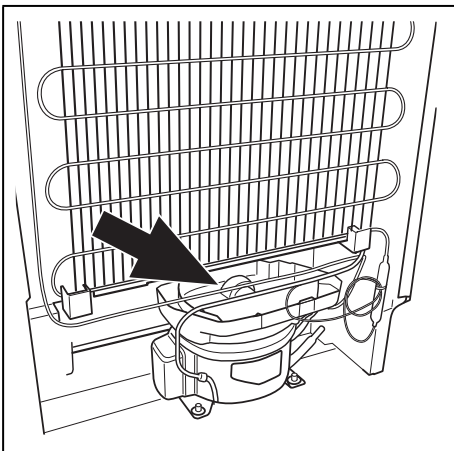
3



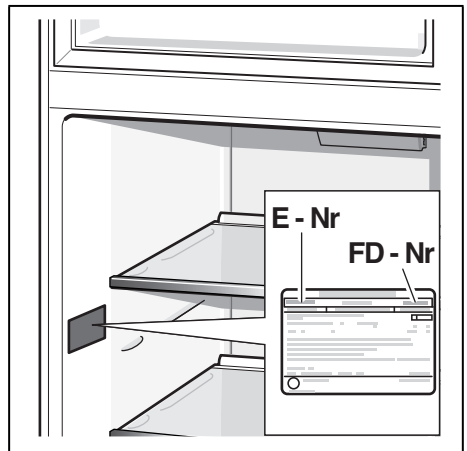
4



5



6



7



Robert Bosch Hausgeräte GmbH

Carl-Wery-Straße 34

81739 München, GERMANY

www.bosch-home.com

9000731837 (9504)
en. tr. ru